



JSI CABINETS

Product and Price Guide



DIRECT
SUPPLY INC

SURFACE MATERIALS \ CABINETS \ HARDWARE



DIRECT
SUPPLY INC
SURFACE MATERIALS \ CABINETRY \ HARDWARE

JSI MULTIPLIER SHEET

STANDARD MULTIPLIERS FOR:

Designer Series: .38

Premier Series : .41

UPGRADE CHARGES FOR BLUM HARDWARE

*See Spec Book

ASSEMBLY AVAILABLE

*Wall - \$14

*Base - \$20

*Tall - (\$28-143) See Spec Book

*Additional Assembly Charges may apply

Contact us for your Standard Delivery Fee (\$20-\$50)

JOBSITE DELIVERY AVAILABLE (\$150-\$250)

*fee varies by location

INSTRUCTIONS TO ORDER

Email a 2020 list

or

send a cabinet list, and we'll provide a quote

*Trade account required to order

DESIGN ASSISTANCE AVAILABLE - CONTACT US!

Heidi De Young, CKBD - Kitchen & Bath Designer

heidi@directsupplyinc.com



DESIGNER SERIES
Limited 5-Year Warranty

JS International, Inc. warrants its Designer Series products to be free from defects in material or workmanship for a period of five years. JS International, Inc., at their choice, may elect to repair or replace any JSI product covered by this warranty.

This warranty does not apply where items have been improperly stored or improperly installed. This warranty does not cover the following: costs of removing warranted material or the installation of replacement material, natural variations and aging inherent in wood, normal wear and tear or damage/defects caused by misuse, abuse, negligence or modification in any way. This warranty does not apply to products purchased without finish.

JS International, Inc. reserves the right to inspect claimed defective products. No returns, replacements or repairs may be made without prior written consent. Some replacement parts may vary from those originally supplied and are subject to availability.

This warranty is the sole warranty of JS International, Inc. and in lieu of all other warranties, express implied, including any implied warranty of merchantability and fitness for a particular use. Labor charges for removal of or installation of warranted material as well as incidental or consequential damages are excluded. We do not assume for us any other liability in connection with the sale of your product.

Special Door Considerations:

The purchaser agrees to let doors that are warped or have panel shrinkage a $\frac{1}{4}$ " or less to hang for one season (Spring) before replacement is requested. Typically a door will return to its normal position once it is acclimated to temperature and humidity conditions. Prior to requesting a replacement for a door, please be sure the door has been installed properly.

To file a claim on this warranty contact your local authorized JSI dealer.

Some states do not allow the exclusion or limitation of implied warranties or of incidental and consequential damages, so this limitation or exclusion may not apply. In such case, the duration of any implied warranty shall be the same as that of the expressed warranty as stated herein.

JSI Cabinetry
485 Commerce Drive, Fall River, MA 02720
Tel: (508) 675-4722



PREMIER SERIES Premier Limited Warranty

JS International, Inc. (warrantor) warrants to the original consumer purchaser only that all products manufactured or supplied by warrantor will be free from defects in material and workmanship under normal use and service for one (1) year from the date of purchase. (Proof of purchase required.)

This warranty does not cover damage resulting from normal wear, accident, misuse, dirt, water, tampering, unreasonable use, improper installation, service performed or attempted by unauthorized service agencies or units that have been modified or used for commercial purposes.

If the product exhibits such a defect, please call JS International, Inc. (800-239-0036) or write with a description of the defect. JS International will, at their option, provide repair or replacement parts or replace with a functionally equivalent product. Such repair or replacement parts or products shall be at warrantor's expense, but consumer shall bear all other expenses, including but not limited to, cost of removal, transportation, re-installation, communication and any special service requested by you such as overtime labor, etc. Repaired or replaced items carry only the unexpired portion of the original warranty.

Except to the extent provided by applicable law, all implied warranties, including warranties of merchantability and fitness for a particular purpose, we are limited in duration to the shorter of the period provided by law or the period of this warranty, and under no circumstances shall JS International be liable for incidental damages sustained in connection with the product. The express warranty above constitutes the entire warranty and is in lieu of all others expressed or implied.

Special Door Considerations:

The purchaser agrees to let doors that are warped or have panel shrinkage a $\frac{1}{4}$ " or less to hang for one season (Spring) before replacement is requested. Typically a door will return to its normal position once it is acclimated to temperature and humidity conditions. Prior to requesting a replacement for a door, please be sure the door has been installed properly.

Some states do not allow the exclusion or limitation of incidental or consequential damages, or limitation on how long an implied warranty lasts, so the above limitations or exclusions may not apply to you.

This warranty gives you specific legal rights, and you may also have other legal rights which vary from state to state.

JSI Cabinetry
485 Commerce Drive, Fall River, MA 02720
Tel: (508) 675-4722

Designer Kitchen **Order Form**



p: 800-239-0036

d: 508-675-4722

e: orders@jsicabinetry.com

485 Commerce Drive, Fall River, MA 02720

Cust. Account #:	Date:	Requested Ship/Pick-Up Date:
Bill To:		Ship To:
Street:		Street:
City:	State: Zip:	City: State: Zip:
Phone:		Phone:
CUST. PO:		<input type="checkbox"/> Pick-Up <input type="checkbox"/> JSI Ship <input type="checkbox"/> Customer Ship <small>(Dealer Arranges Shipping)</small>
Contact:		<input type="checkbox"/> Residential/Liftgate Address
Acknowledgement Email:		Tag For:
Prepaid Customers: Your order will be processed upon receipt of payment. If you wish to pay for this order immediately, please provide the last 4 digits for the credit card on file: CC# _ _ _ _ <input type="checkbox"/> Visa <input type="checkbox"/> MC		

Door Style:
 Dover Castle (KDC)
 Dover White (KD)
 Essex Norwich (KNR)
 Trenton Slab (KTS)
 Branford Recessed (KBR)
 Dover Lunar (KDL)
 Essex Castle (KEC)
 Essex White (KE)
 Yarmouth Raised (KYM)
 Branford Slab (KBS)
 Dover Norwich (KNS)
 Essex Lunar (KEL)
 Trenton Recessed (KTR)
 Yarmouth Slab (KYS)

Unassembled
 Assembled (charges apply)
 Quick Ship (unassembled only; no changes allowed)

LINE	QTY	ITEM NUMBER	HINGE L OR R	FIN. END L, R OR B	COMMENTS
1					
2					
3					
4					
5					
6					
7					
8					
9					
10					
11					
12					
13					
14					
15					
16					
17					
18					
19					
20					
21					
22					
23					
24					
25					

Designer Vanity **Order Form**



p: 800-239-0036

d: 508-675-4722

e: orders@jsicabinetry.com

485 Commerce Drive, Fall River, MA 02720

Cust. Account #:	Date:	Requested Ship/Pick-Up Date:
Bill To:		Ship To:
Street:		Street:
City: State: Zip:		City: State: Zip:
Phone:		Phone:
CUST. PO:		<input type="checkbox"/> Pick-Up <input type="checkbox"/> JSI Ship <input type="checkbox"/> Customer Ship <small>(Dealer Arranges Shipping)</small>
Contact:		<input type="checkbox"/> Residential/Liftgate Address
Acknowledgement Email:		Tag For:

Prepaid Customers: Your order will be processed upon receipt of payment. If you wish to pay for this order immediately, please provide the **last 4 digits** for the credit card on file: CC# ____ _ Visa MC

Door Style:	<input type="checkbox"/> Branford Slab (VBS)	<input type="checkbox"/> Norwich Slab (VNS)	<input type="checkbox"/> Essex Castle (VEC)	<input type="checkbox"/> Branford Recessed (VBR)
	<input type="checkbox"/> Trenton (VT)	<input type="checkbox"/> Dover Lunar (VDL)	<input type="checkbox"/> Trenton Slab (VTS)	<input type="checkbox"/> Essex Lunar (VEL)
	<input type="checkbox"/> Dover (VD)	<input type="checkbox"/> Dover Castle (VDC)	<input type="checkbox"/> Essex (VE)	<input type="checkbox"/> Trenton Recessed (VTR)
			<input type="checkbox"/> Norwich Recessed (VNR)	

Unassembled Assembled (charges apply) Quick Ship (unassembled only; no changes allowed)

LINE	QTY	ITEM NUMBER	DRAWERS L OR R	COMMENTS
1				
2				
3				
4				
5				
6				
7				
8				
9				
10				
11				
12				
13				
14				
15				
16				
17				
18				
19				
20				
21				
22				
23				
24				
25				

Premier Kitchen **Order Form**



p: 800-239-0036

d: 508-675-4722

e: orders@jsicabinetry.com

485 Commerce Drive, Fall River, MA 02720

Cust. Account #:		Date:	Requested Ship/Pick-Up Date:	
Bill To:		Ship To:		
Street:		Street:		
City:	State:	Zip:	City:	State: Zip:
Phone:		Phone:		
CUST. PO:		<input type="checkbox"/> Pick-Up <input type="checkbox"/> JSI Ship <input type="checkbox"/> Customer Ship <small>(Dealer Arranges Shipping)</small>		
Contact:		<input type="checkbox"/> Residential/Liftgate Address		
Acknowledgement Email:		Tag For:		

Prepaid Customers: Your order will be processed upon receipt of payment. If you wish to pay for this order immediately, please provide the **last 4 digits** for the credit card on file: CC# ____ _ Visa MC

- Door Style:
- | | | |
|--|--|---|
| <input type="checkbox"/> Amesbury Brown Slab (AB) | <input type="checkbox"/> Quincy Brown (QB) | <input type="checkbox"/> Amesbury Brown Recessed (ABR) |
| <input type="checkbox"/> Amesbury Espresso Slab (AE) | <input type="checkbox"/> Quincy Espresso (QE) | <input type="checkbox"/> Amesbury Espresso Recessed (AER) |
| <input type="checkbox"/> Amesbury Mist Slab (AM) | <input type="checkbox"/> Plymouth White (PW) | <input type="checkbox"/> Amesbury Mist Recessed (AMR) |
| <input type="checkbox"/> Amesbury White Slab (AW) | <input type="checkbox"/> Upton Brown Slab (UB) | <input type="checkbox"/> Amesbury White Recessed (AWR) |
| | | <input type="checkbox"/> Upton Brown Recessed (UBR) |

- Unassembled Assembled (charges apply) Quick Ship (unassembled only; no changes allowed)

LINE	QTY	ITEM NUMBER	HINGE L OR R	FIN. END L, R OR B	COMMENTS
1					
2					
3					
4					
5					
6					
7					
8					
9					
10					
11					
12					
13					
14					
15					
16					
17					
18					
19					
20					
21					
22					
23					



Premier Vanity Order Form

p: 800-239-0036

d: 508-675-4722

e: orders@jsicabinetry.com

485 Commerce Drive, Fall River, MA 02720

Cust. Account #:	Date:	Requested Ship/Pick-Up Date:
Bill To:		Ship To:
Street:		Street:
City: State: Zip:		City: State: Zip:
Phone:		Phone:
CUST. PO:		<input type="checkbox"/> Pick-Up <input type="checkbox"/> JSI Ship <input type="checkbox"/> Customer Ship <small>(Dealer Arranges Shipping)</small>
Contact:		<input type="checkbox"/> Residential/Liftgate Address
Acknowledgement Email:		Tag For:

Prepaid Customers: Your order will be processed upon receipt of payment. If you wish to pay for this order immediately, please provide the **last 4 digits** for the credit card on file: CC# _ _ _ _ Visa MC

Door Style: Amesbury Brown Slab (AB) Quincy Brown (QB) Amesbury Brown Recessed (ABR)
 Amesbury Espresso Slab (AE) Quincy Espresso (QE) Amesbury Espresso Recessed (AER)
 Amesbury Mist Slab (AM) Plymouth White (PW) Amesbury Mist Recessed (AMR)
 Amesbury White Slab (AW) Upton Brown Slab (UB) Amesbury White Recessed (AWR)
 Upton Brown Recessed (UBR)

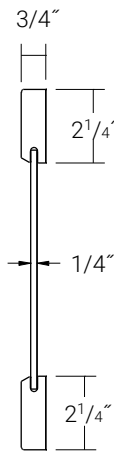
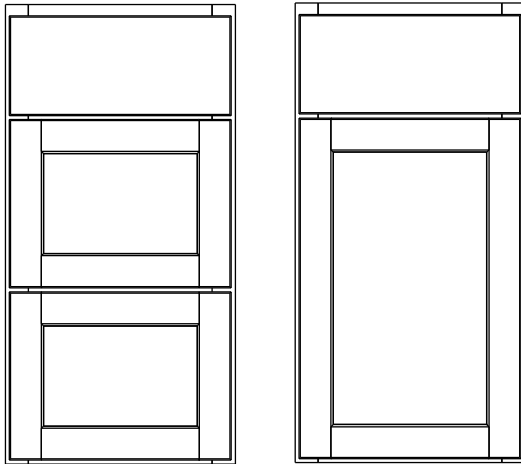
Unassembled Assembled (charges apply) Quick Ship (unassembled only; no changes allowed)

LINE	QTY	ITEM NUMBER	DRAWERS L OR R	COMMENTS
1				
2				
3				
4				
5				
6				
7				
8				
9				
10				
11				
12				
13				
14				
15				
16				
17				
18				
19				
20				
21				
22				
23				

Door Profiles

Amesbury Brown Slab

PREMIER SERIES

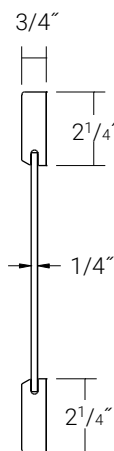
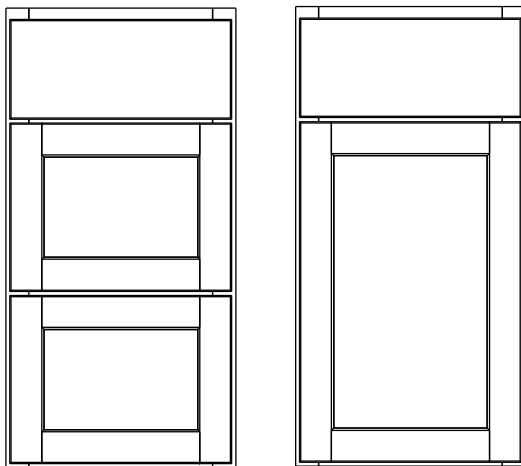


Price Column E

- 1 1/4" overlay
- Solid Maple stiles
- Veneered MDF recessed panel doors
 - * Frame is a stained finish
- Mortise-and-tenon construction
- Small solid slab drawer front
- Large 5-piece drawer front with 5/16"-thick plywood drawer panel
- Brown stain

Amesbury Espresso Slab

PREMIER SERIES

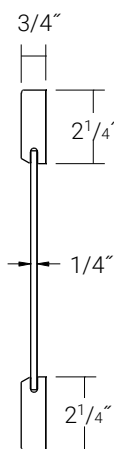
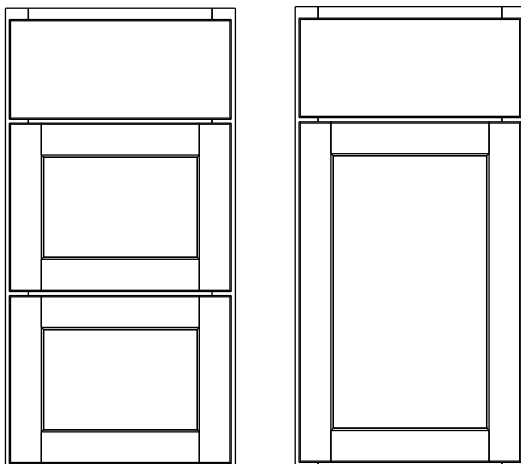


Price Column E

- 1 1/4" overlay
- Solid Maple stiles
- Veneered MDF recessed panel doors
 - * Frame is a stained finish
- Mortise-and-tenon construction
- Small solid slab drawer front
- Large 5-piece drawer front with 5/16"-thick plywood drawer panel
- Espresso stain

Amesbury Mist Slab

PREMIER SERIES



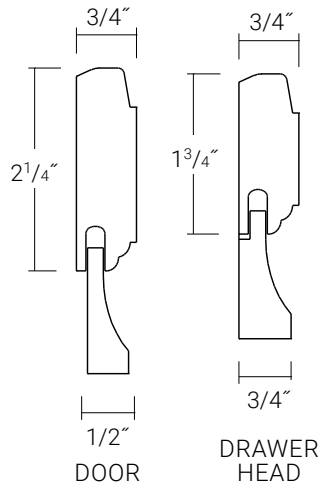
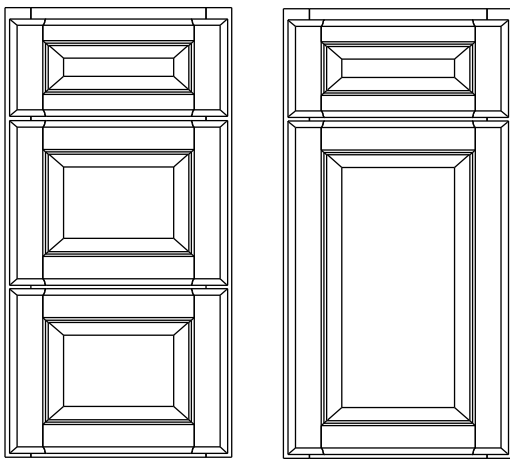
Price Column E

- 1 1/4" overlay
- Solid Maple stiles
- Veneered MDF recessed panel doors
 - * Frame is a stained finish
- Mortise-and-tenon construction
- Small solid slab drawer front
- Large 5-piece drawer front with 5/16"-thick plywood drawer panel
- Light Gray stain

Door Profiles

Quincy Brown

PREMIER SERIES

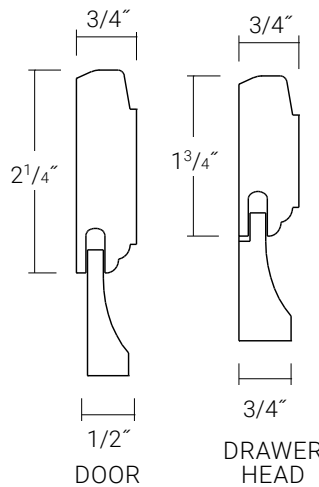
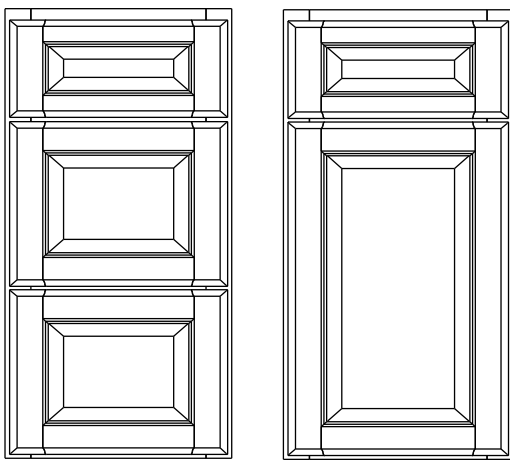


Price Column E

- 1 1/4" overlay
- Solid Maple stiles
- Veneered MDF raised panel
- * Frame is a stained finish
- Mortise-and-tenon construction
- 5-piece drawer front with veneered MDF panel
- Brown stain

Quincy Espresso

PREMIER SERIES

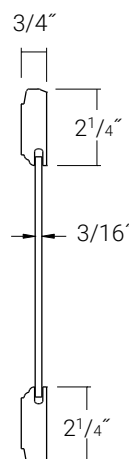
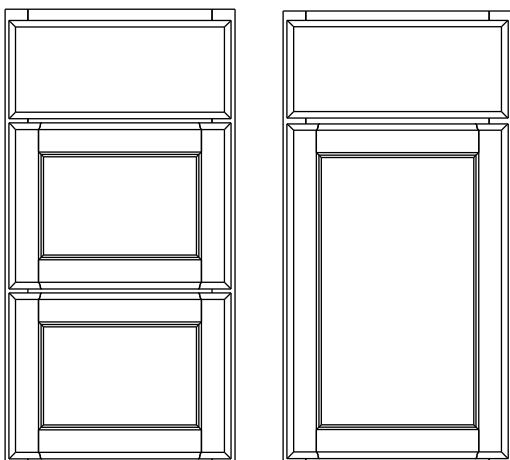


Price Column E

- 1 1/4" overlay
- Solid Maple stiles
- Veneered MDF raised panel
- * Frame is a stained finish
- Mortise-and-tenon construction
- 5-piece drawer front with veneered MDF panel
- Espresso stain

Plymouth White

PREMIER SERIES



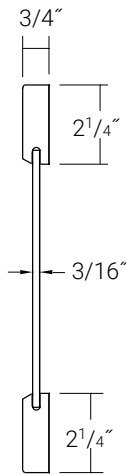
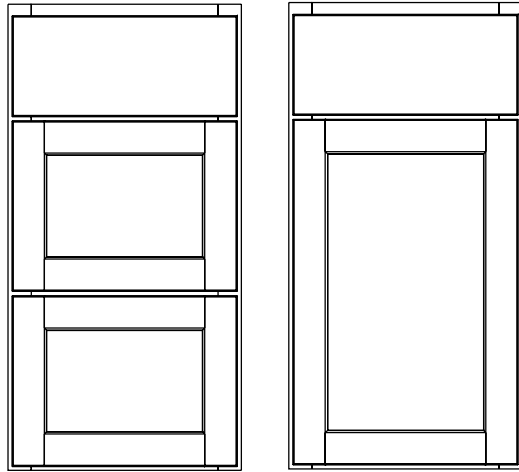
Price Column E

- 1 1/4" overlay
- Solid Maple stiles
- MDF recessed panel doors
- * Frame is a painted finish
- Mortise-and-tenon construction
- Small solid slab drawer front
- Large 5-Piece drawer front with 5/16"-thick plywood drawer panel
- White paint

Door Profiles

Upton Brown Slab

PREMIER SERIES

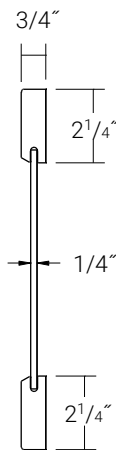
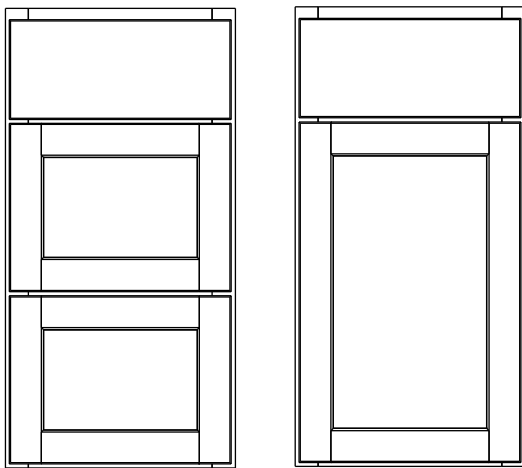


Price Column G

- 1 1/4" overlay
- Solid Rustic Maple door and drawer stiles
- Veneered MDF recessed panel doors
- * Frame is a stained finish
- Mortise-and-tenon construction
- Small solid slab drawer front
- Large 5-piece drawer front with 5/16"-thick plywood drawer panel
- Rustic Brown stain

Amesbury White Slab

PREMIER SERIES



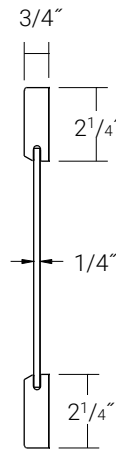
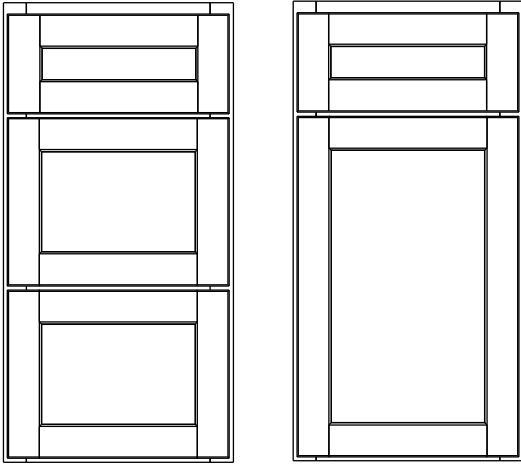
Price Column G

- 1 1/4" overlay
- Solid Maple stiles
- Veneered MDF recessed panel doors
- * Frame is a painted finish
- Mortise-and-tenon construction
- Small solid slab drawer front
- Large 5-piece drawer front with 5/16"-thick plywood drawer panel
- White paint

Door Profiles

Amesbury Brown Recessed

PREMIER SERIES



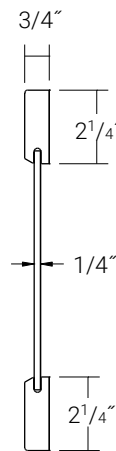
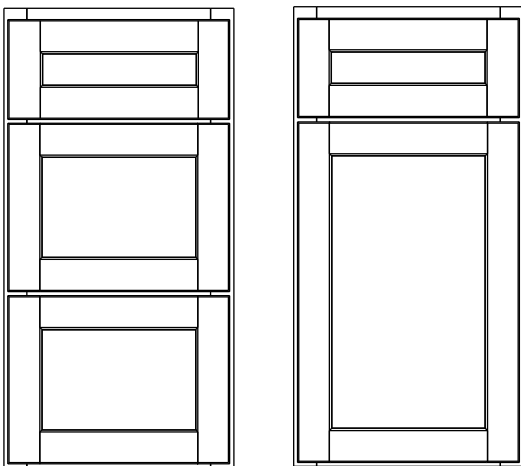
Price Column F

- 1 1/4" overlay
- Solid Maple stiles
- Veneered MDF recessed panel doors
 - * Frame is a stained finish
- Mortise-and-tenon construction
- 5-piece drawer front
- Brown stain

AVAILABLE 10/1/21

Amesbury Espresso Recessed

PREMIER SERIES



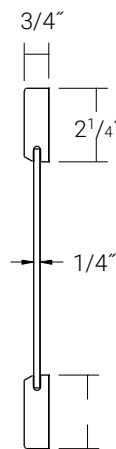
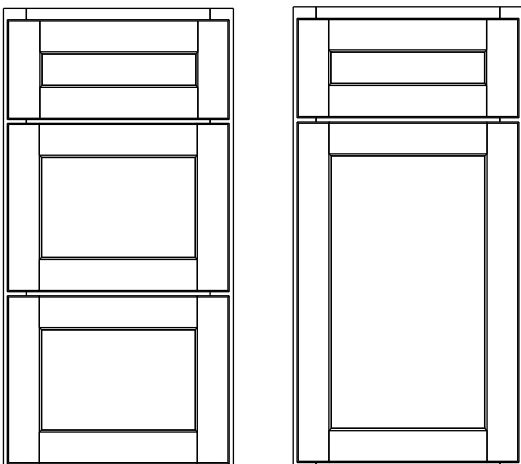
Price Column F

- 1 1/4" overlay
- Solid Maple stiles
- Veneered MDF recessed panel doors
 - * Frame is a stained finish
- Mortise-and-tenon construction
- 5-piece drawer front
- Espresso stain

AVAILABLE 10/1/21

Amesbury Mist Recessed

PREMIER SERIES



Price Column F

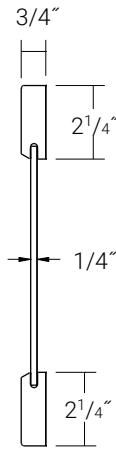
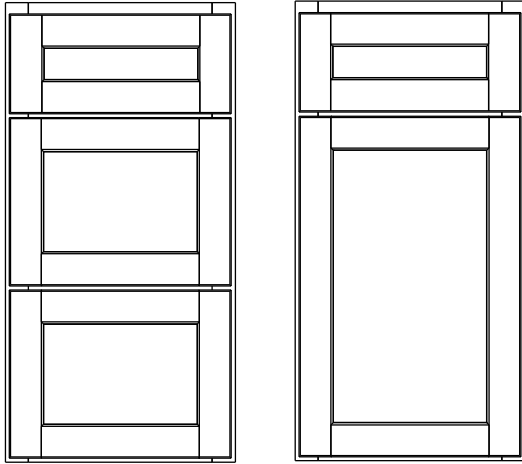
- 1 1/4" overlay
- Solid Maple stiles
- Veneered MDF recessed panel doors
 - * Frame is a stained finish
- Mortise-and-tenon construction
- 5-piece drawer front
- Light Gray stain

AVAILABLE 10/1/21

Door Profiles

Amesbury White Recessed

PREMIER SERIES



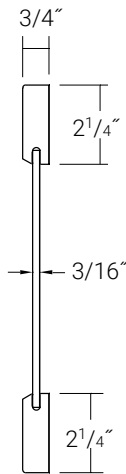
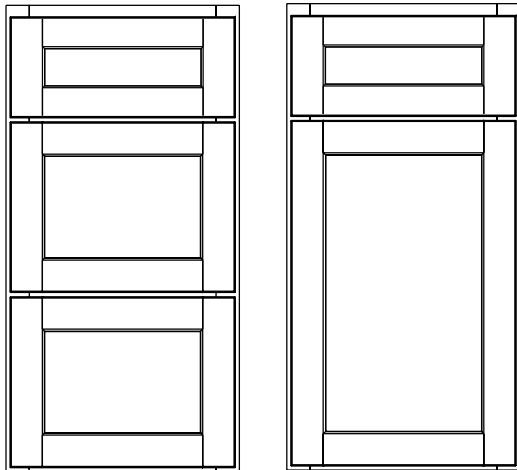
Price Column H

- 1 1/4" overlay
- Solid Maple stiles
- Veneered MDF recessed panel doors
 - * Frame is a painted finish
- Mortise-and-tenon construction
- 5-piece drawer front
- White paint

AVAILABLE 10/1/21

Upton Brown Recessed

PREMIER SERIES



Price Column H

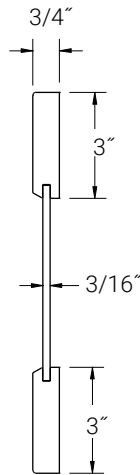
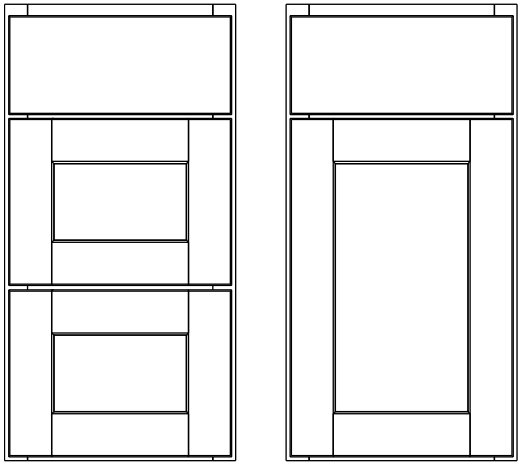
- 1 1/4" overlay
- Solid Rustic Maple door and drawer stiles
- Veneered MDF recessed panel doors
 - * Frame is a stained finish
- Mortise-and-tenon construction
- 5-piece drawer front
- Rustic Brown stain

AVAILABLE 10/1/21

Door Profiles

Dover White

DESIGNER SERIES

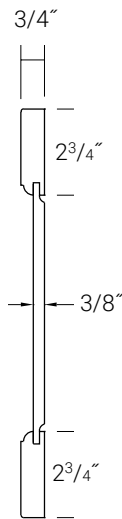
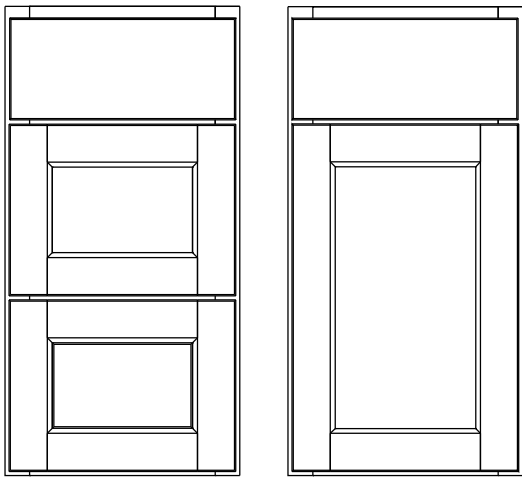


Price Column J

- 1 1/4" overlay
- 3" solid Maple stiles
- 3/16" MDF recessed panel
- Mortise-and-tenon construction
- Small solid slab drawer front
- Large 5-piece drawer front
- White paint

Branford Slab

DESIGNER SERIES

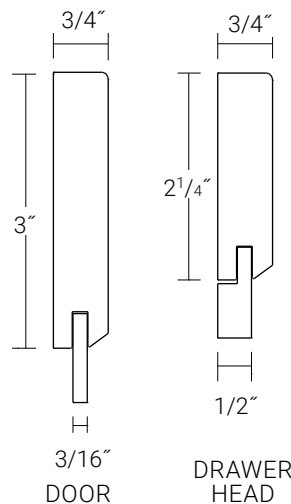
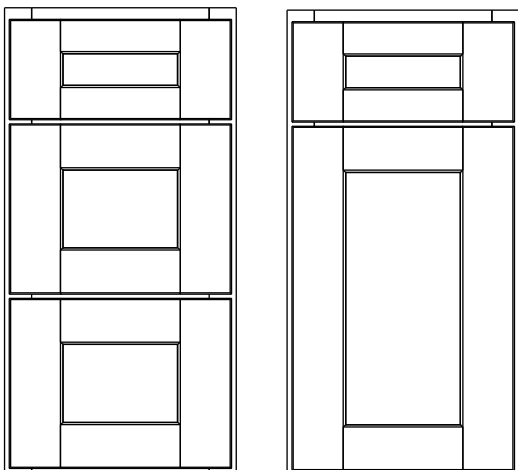


Price Column J

- 1 1/4" overlay
- Solid Maple stiles
- 3/8" MDF reversed raised panel
- Mortise-and-tenon construction
- Small solid slab drawer front
- Large 5-Piece drawer front
- Espresso stain

Essex White

DESIGNER SERIES



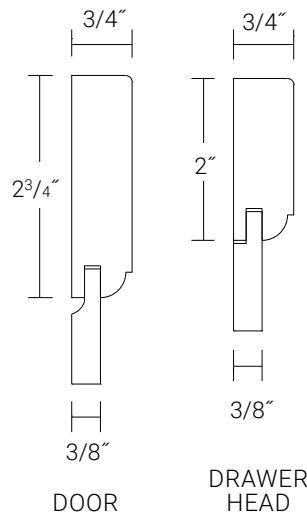
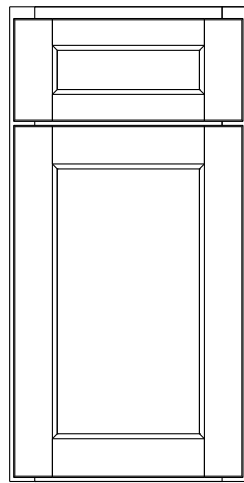
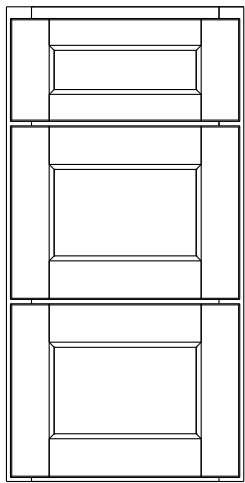
Price Column K

- 1 1/4" overlay
- Solid Maple stiles
- MDF recessed panel
- Mortise-and-tenon construction
- 5-Piece drawer front
- White paint

Door Profiles

Branford Recessed

DESIGNER SERIES

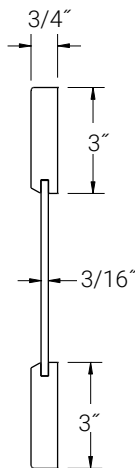
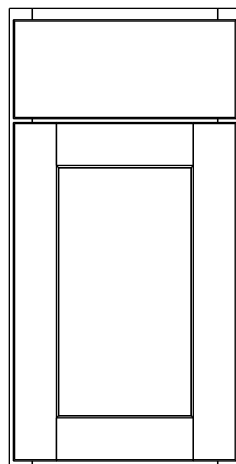
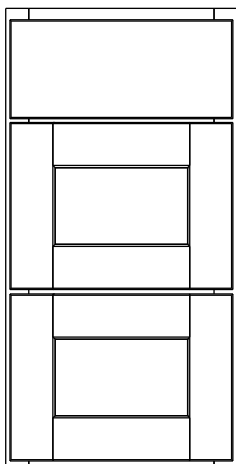


Price Column K

- 1 1/4" overlay
- Solid Maple stiles
- 3/8" MDF reversed raised panel
- Mortise-and-tenon construction
- 5-Piece drawer front
- Espresso stain

Dover Castle

DESIGNER SERIES

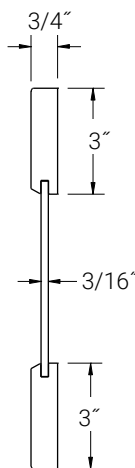
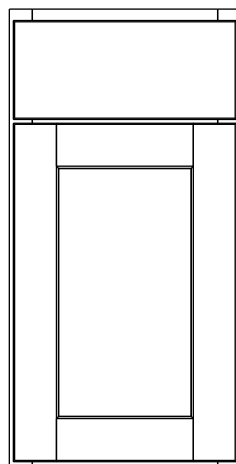
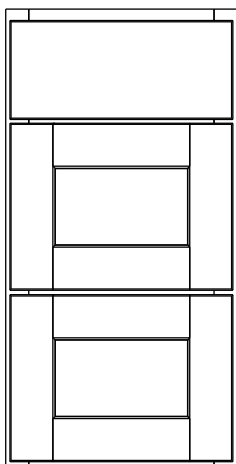


Price Column M

- 1 1/4" overlay
- 3" solid Maple stiles
- 3/16" MDF recessed panel
- Mortise-and-tenon construction
- Small solid slab drawer front
- Large 5-piece drawer front
- Dark Gray paint

Dover Lunar

DESIGNER SERIES



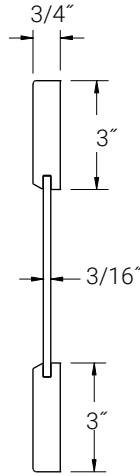
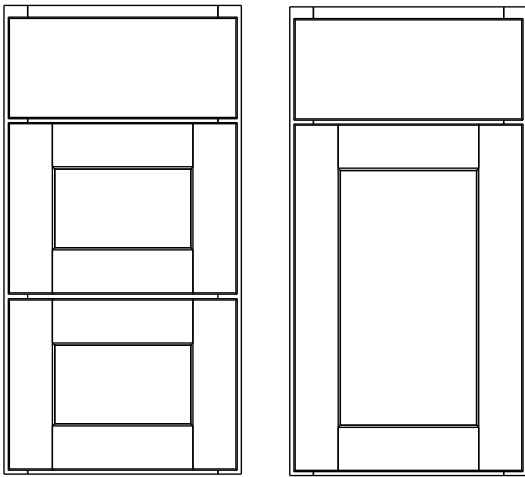
Price Column M

- 1 1/4" overlay
- 3" solid Maple stiles
- 3/16" MDF recessed panel
- Mortise-and-tenon construction
- Small solid slab drawer front
- Large 5-piece drawer front
- Gray stain

Door Profiles

Dover Norwich

DESIGNER SERIES

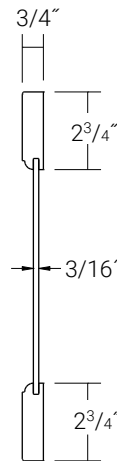
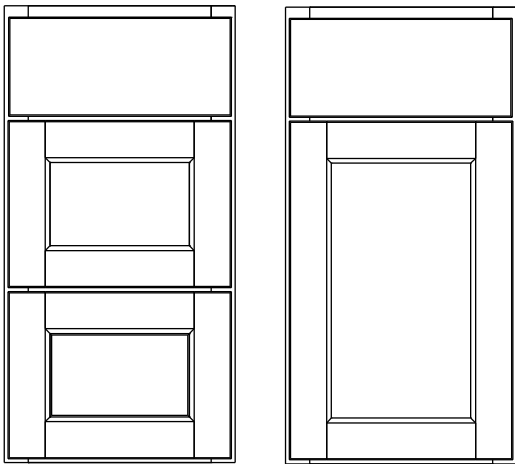


Price Column M

- 1 1/4" overlay
- 3" solid Maple stiles
- 3/16" MDF recessed panel
- Mortise-and-tenon construction
- Small solid slab drawer front
- Large 5-piece drawer front
- Light Gray paint

Trenton Slab

DESIGNER SERIES

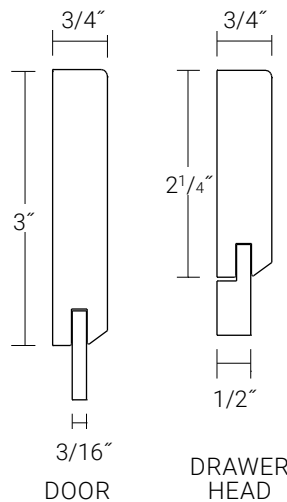
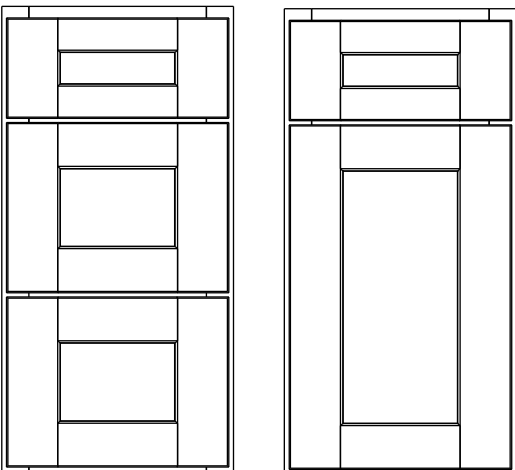


Price Column M

- 1 1/4" overlay
- Solid Maple stiles
- MDF recessed panel
- Mortise-and-tenon construction
- Small solid slab drawer front
- Large 5-piece drawer front
- Ivory paint

Essex Castle

DESIGNER SERIES



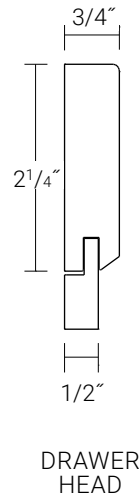
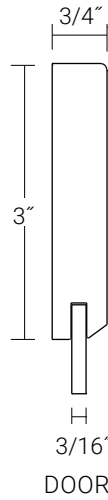
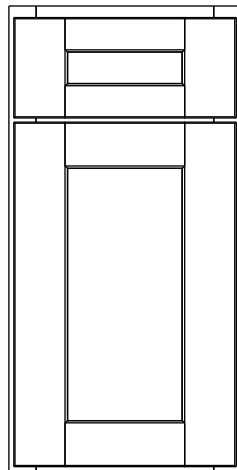
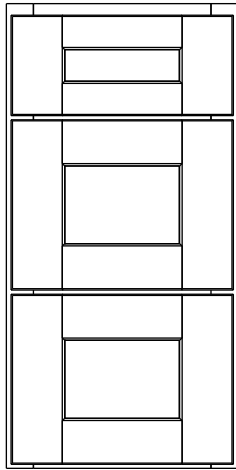
Price Column N

- 1 1/4" overlay
- Solid Maple stiles
- MDF recessed panel
- Mortise-and-tenon construction
- 5-Piece drawer front
- Dark Gray paint

Door Profiles

Essex Lunar

DESIGNER SERIES

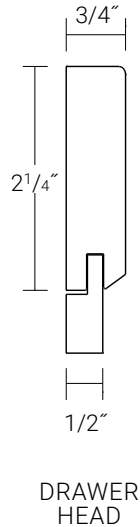
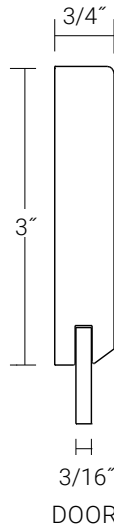
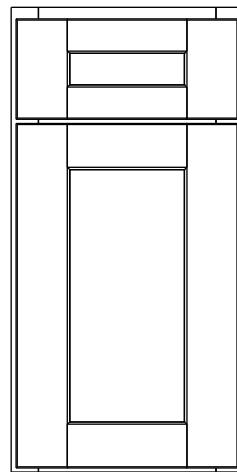
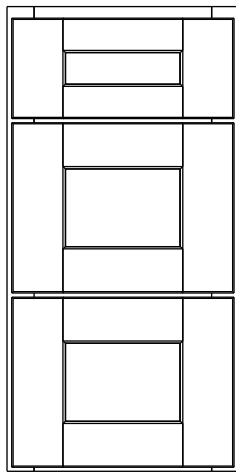


Price Column N

- 1 1/4" overlay
- Solid Maple stiles
- MDF recessed panel
- Mortise-and-tenon construction
- 5-Piece drawer front
- Gray stain

Essex Norwich

DESIGNER SERIES

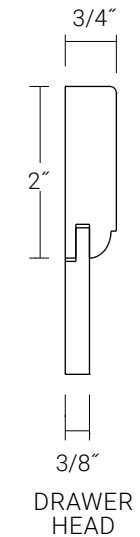
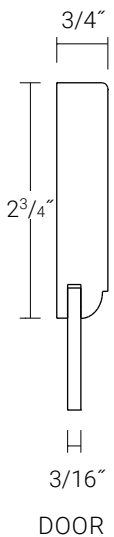
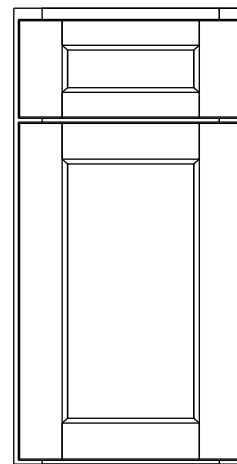
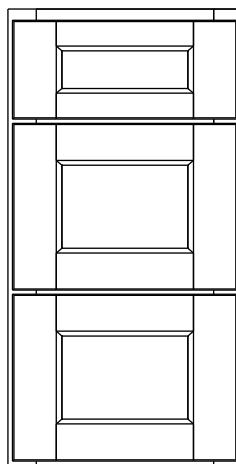


Price Column N

- 1 1/4" overlay
- Solid Maple stiles
- MDF recessed panel
- Mortise-and-tenon construction
- 5-Piece drawer front
- Light Gray paint

Trenton Recessed

DESIGNER SERIES



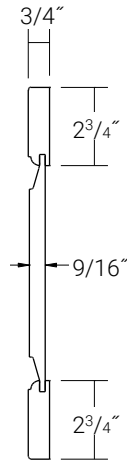
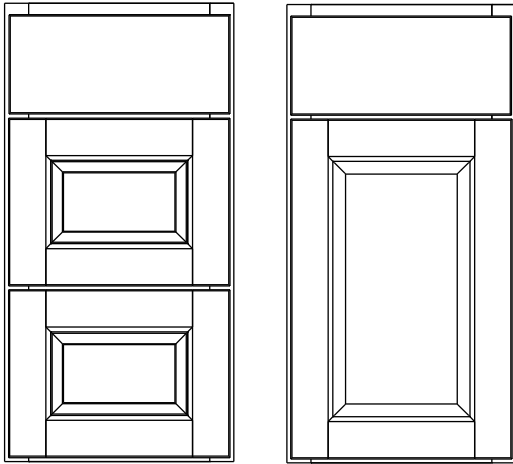
Price Column N

- 1 1/4" overlay
- Solid Maple stiles
- MDF recessed panel
- Mortise-and-tenon construction
- 5-piece drawer front
- Top drawer front – recessed
- Ivory paint

Door Profiles

Yarmouth Slab

DESIGNER SERIES

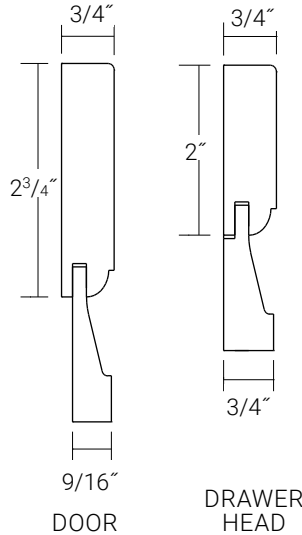
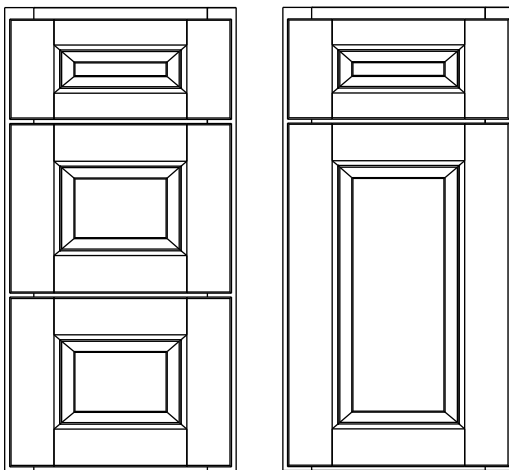


Price Column O

- 1 1/4" overlay
- Solid Maple stiles
- MDF raised panel
- Mortise-and-tenon construction
- Small solid slab drawer front
- Large 5-Piece drawer front
- Ivory Paint

Yarmouth Raised

DESIGNER SERIES

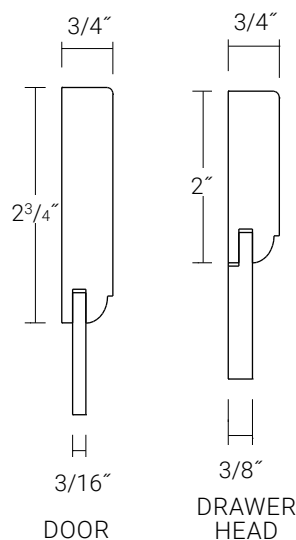
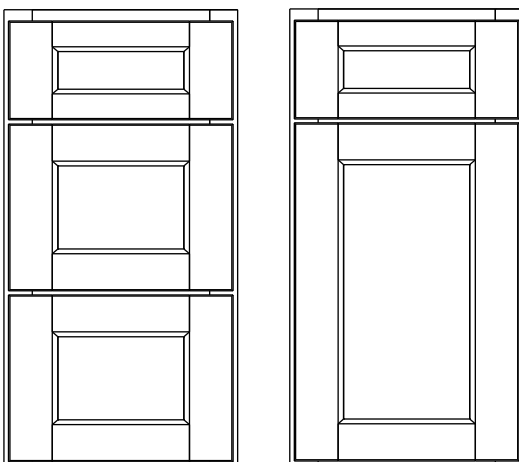


Price Column P

- 1 1/4" overlay
- Solid Maple stiles
- MDF raised panel
- Mortise-and-tenon construction
- 5-piece drawer front
- Ivory Paint

Trenton Tapered Leg Vanity

DESIGNER SERIES



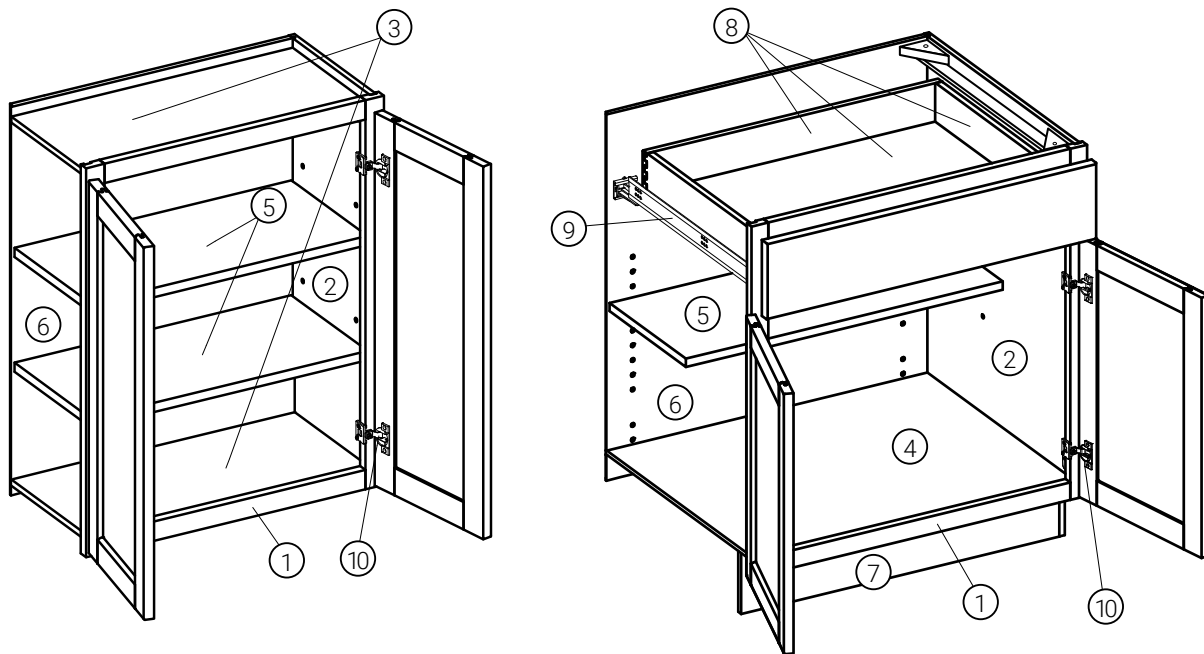
Price Column I

- 1 1/4" overlay
- Solid Maple stiles
- MDF recessed panel
- Mortise-and-tenon construction
- 5-piece drawer front
- Top drawer front – recessed
- Open shelf vanities are Inset style and drawers have full-extension side mount non-soft close glides
- Ivory paint

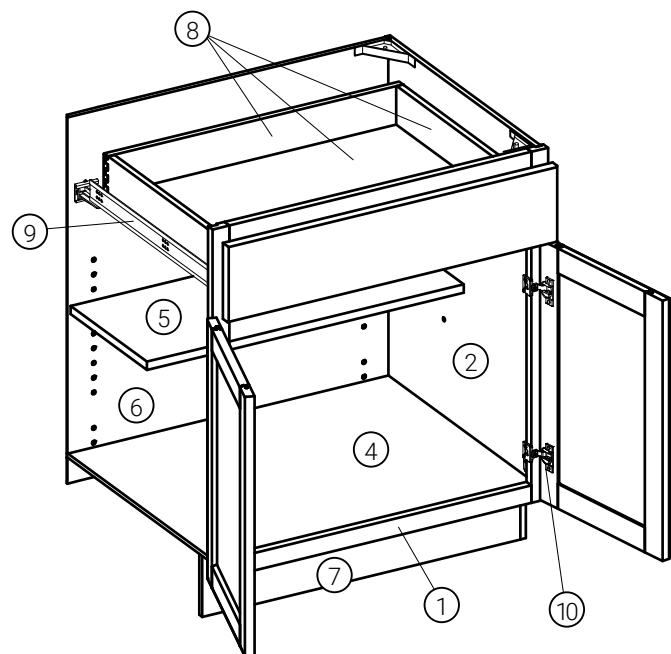
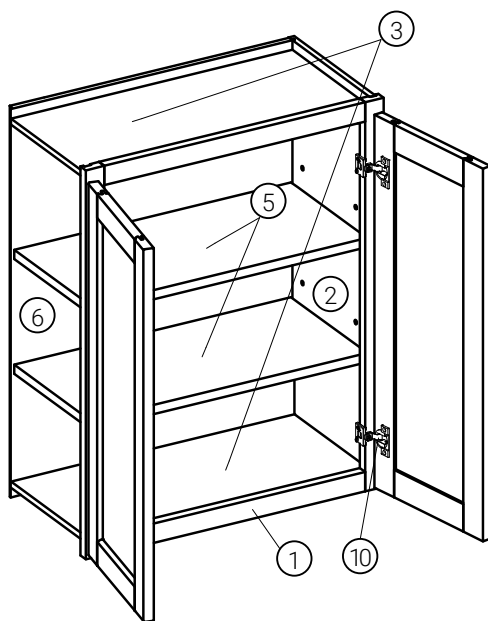
Door Styles by Price Letter Column

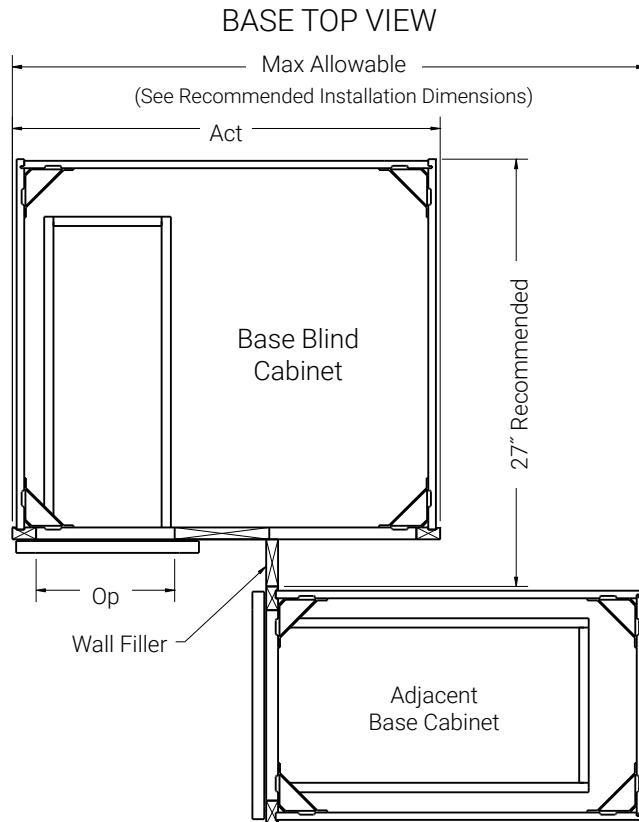
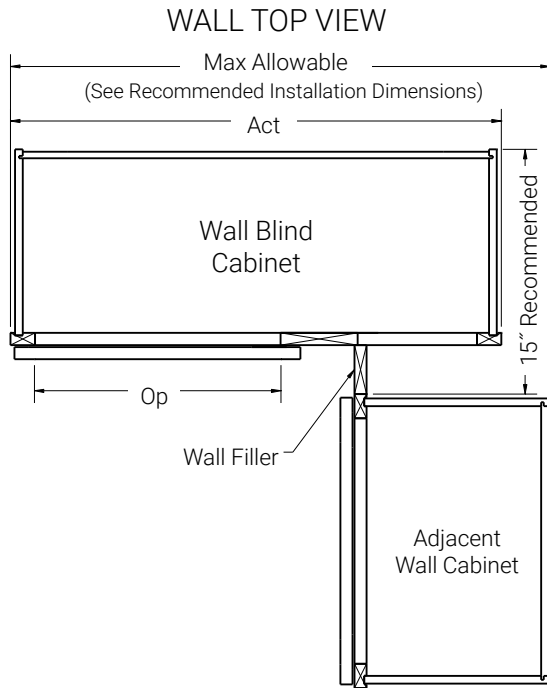
Vanity Section Only					
E	F	G	H	I	J
Plymouth White	Amesbury Brown Recessed	Amesbury White	Amesbury White Recessed	Trenton Tapered Vanity	Branford Slab
Amesbury Brown	Amesbury Espresso Recessed	Upton Brown	Upton Brown Recessed		Dover White
Amesbury Espresso	Amesbury Mist Recessed				
Amesbury Mist					
Quincy Brown					
Quincy Espresso					
K	L	M	N	O	P
Branford Recessed	N/A	Dover Castle	Essex Castle	Yarmouth Slab	Yarmouth Raised
Essex White		Dover Lunar	Essex Lunar		
		Dover Norwich	Essex Norwich		
		Trenton Slab	Trenton Recessed		

Product	Specification
① Face Frames	3/4" x 1 1/2"
② End Panel	1/2"-thick Plywood; attaches to face frame using half-dovetail joinery
③ Top and Bottom (Walls)	1/2"-thick Plywood
④ Bottom (Bases)	3/8"-thick Plywood
⑤ Shelves	Adjustable 3/4"-thick Plywood, Edgebanded on front
⑥ Back	1/2"-thick Solid Plywood
⑦ Toe Kick	Kitchen: 1/2"-thick Plywood, Unfinished, Recessed Vanity: Matching toe kick
⑧ Drawer Box	Unassembled, Dovetail with 3/4"-thick Solid Wood sides and 3/8"-thick bottom
⑨ Glides	Bremen Full-extension, soft close, undermount drawer glides; Blum upgrade available
⑩ Hinges	Bremen 6-way-Adjustable, Concealed, with Soft Close Integrated Hinge; Blum upgrade available
Interiors	Finished in Natural Maple
Soft Close Doors	All Designer line kitchen cabinets come standard with soft close doors



Product	Specification
① Face Frames	3/4" x 1 1/2"
② End Panel	1/2"-thick Plywood; attaches to face frame using half-dovetail joinery
③ Top and Bottom (Walls)	1/2"-thick Plywood
④ Bottom (Bases)	3/8"-thick Plywood
⑤ Shelves	Adjustable 5/8"-thick Plywood, Edgebanded on front
⑥ Back	1/2"-thick Solid Plywood
⑦ Toe Kick	Kitchen: 1/2"-thick Plywood, Unfinished, Recessed Vanity: Matching toe kick
⑧ Drawer Box	Unassembled, Dovetail with 3/4"-thick Solid Wood sides and 3/8"-thick bottom
⑨ Glides	Bremen Full-extension, soft close, undermount drawer glides; Blum upgrade available
⑩ Hinges	Bremen 6-way-Adjustable, Soft close hinge; Blum upgrade available
Interiors	Finished in Natural Maple





BLIND CABINET DIMENSIONS:

Cabinet	Act	Min	Max	Op
Wall Blind WBC2730	27"	27"	31"	12"
Base Blind BBC36/39	27"	38 ¹ / ₂ "	40"	9"
Base Blind BBC42/45	39"	44 ¹ / ₂ "	46"	15"

RECOMMENDED PULL DIMENSIONS:

BBC36/39 must be pulled a minimum of 11¹/₂" from the wall.

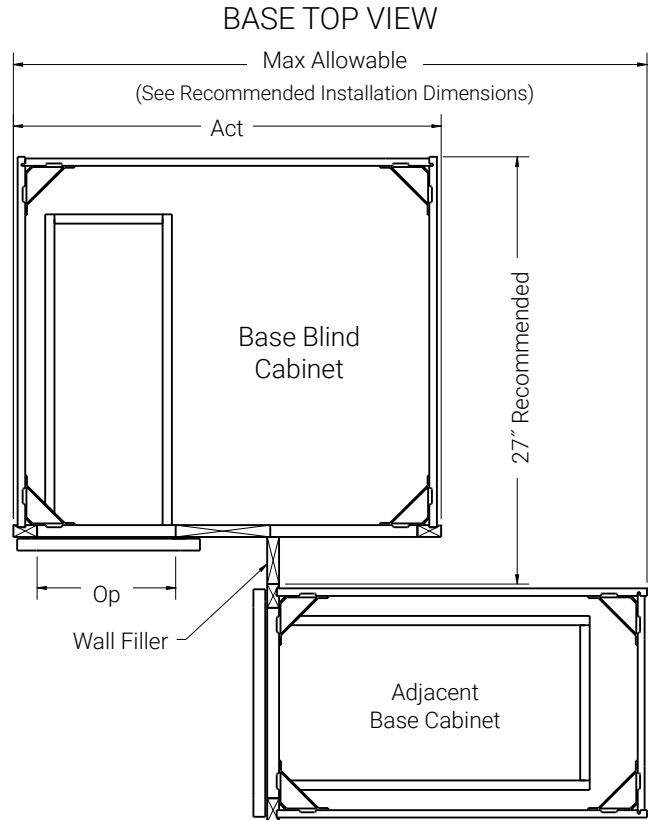
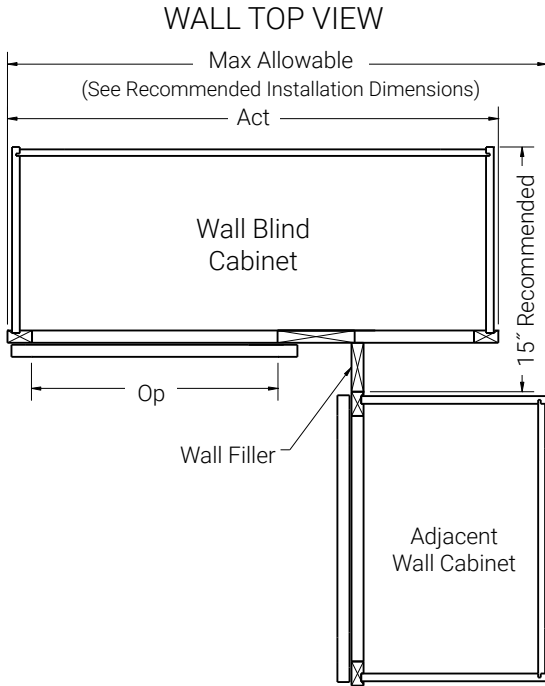
BBC42/45 must be pulled a minimum of 5¹/₂" from the wall.

LEGEND

- Act** Represents the **Actual** width of the cabinet.
- Min** Represents the absolute **Minimum** distance the cabinet and pull from the wall can take up **INCLUDING** any additional pull for hardware.
- Max** Represents the absolute **Maximum** distance the cabinet and pull from the wall can take up **INCLUDING** any additional pull for hardware.
- Op** Represents the actual width of the door **Opening**.

Notes:

- All blind bases must be pulled from the wall; see Recommended Pull Dimensions.
- To maintain equal 3" reveal on blind cabinet, to match adjacent 3" reveal on filler, always order planned installation dimension to match Max installation dimension.
- Filler sold separately.



BLIND CABINET DIMENSIONS:

Cabinet	Act	Min	Max	D
Wall Blind WBC2730	27"	27"	31"	12"
Wall Blind WBC2736	27"	27"	31"	12"
Wall Blind WBC2742	27"	27"	31"	12"
Base Blind BBC36/39	27"	38 ¹ / ₂ "	40"	9"
Base Blind BBC42/45	39"	44 ¹ / ₂ "	46"	15"

RECOMMENDED PULL DIMENSIONS:

BBC36/39 must be pulled a minimum of 11¹/₂" from the wall.

BBC42/45 must be pulled a minimum of 5¹/₂" from the wall.

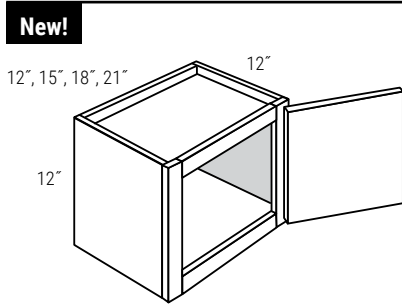
LEGEND	
Act	Represents the Actual width of the cabinet.
Min	Represents the absolute Minimum distance the cabinet and pull from the wall can take up INCLUDING any additional pull for hardware.
Max	Represents the absolute Maximum distance the cabinet and pull from the wall can take up INCLUDING any additional pull for hardware.
Op	Represents the actual width of the door Op ening.

Notes:

- All blind bases must be pulled from the wall; see Recommended Installation dimensions.
- To maintain equal 3" reveal on blind cabinet, to match adjacent 3" reveal on filler, always order planned installation dimension to match Max installation dimension.
- Filler sold separately.

Wall Cabinets

Stackable Wall Cabinets: 12" h, 1 Door

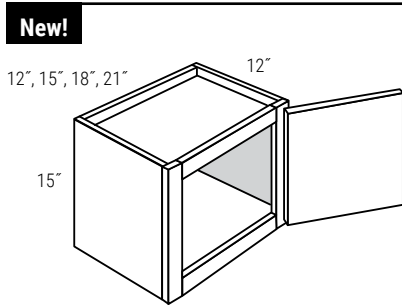


	E	F	G	H	J	K	L	M	N	O	P
W1212	X	X	X	X	232	232	238	242	242	255	255
W1512	X	X	X	X	237	237	242	247	247	260	260
W1812	X	X	X	X	242	242	248	252	252	266	266
W2112	X	X	X	X	247	247	254	257	257	270	270

- **AVAILABLE 10/1/21**
- Assembled only; add \$14 net
- W2412, W3312 and W2418 in Designer is Assembled Only
- Upgrade to Blum hinges for \$6 net

- Available Modifications:
- CUT-WALL
 - INCREASE-WALL
 - PAINTED INTERIOR
 - PREP FOR GLASS

Stackable Wall Cabinets: 15" h, 1 Door

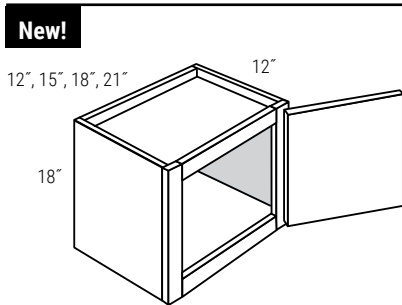


	E	F	G	H	J	K	L	M	N	O	P
W1215	X	X	X	X	237	237	242	247	247	260	260
W1515	X	X	X	X	246	246	250	256	256	269	269
W1815	X	X	X	X	254	254	260	264	264	278	278
W2115	X	X	X	X	262	262	268	273	273	287	287

- **AVAILABLE 10/1/21**
- Assembled only; add \$14 net
- W2412, W3312 and W2418 in Designer is Assembled Only
- Upgrade to Blum hinges for \$6 net

- Available Modifications:
- CUT-WALL
 - INCREASE-WALL
 - PAINTED INTERIOR
 - PREP FOR GLASS

Stackable Wall Cabinets: 18" h, 1 Door



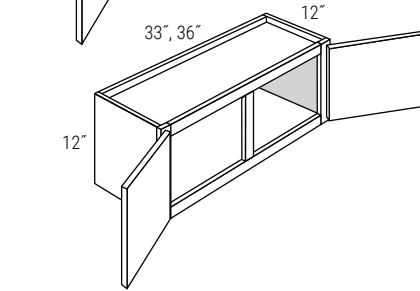
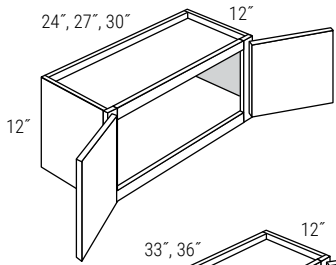
	E	F	G	H	J	K	L	M	N	O	P
W1218	X	X	X	X	242	242	248	252	252	265	265
W1518	X	X	X	X	253	253	258	264	264	278	278
W1818	X	X	X	X	266	265	272	278	278	292	292
W2118	X	X	X	X	277	277	282	289	289	304	304

- **AVAILABLE 10/1/21**
- Assembled only; add \$14 net
- W2412, W3312 and W2418 in Designer is Assembled Only
- Upgrade to Blum hinges for \$6 net

- Available Modifications:
- CUT-WALL
 - INCREASE-WALL
 - PAINTED INTERIOR
 - PREP FOR GLASS

Wall Cabinets

Wall Bridge Cabinets: 12~h, 2 Doors



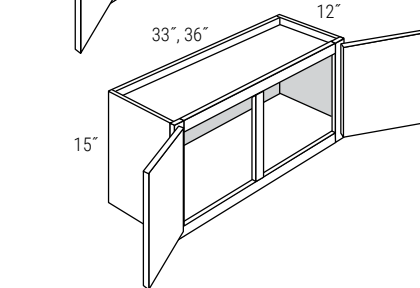
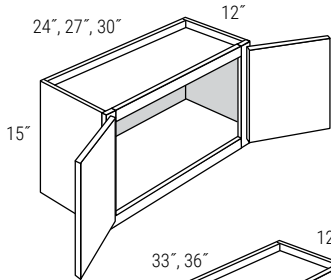
	E	F	G	H	J	K	L	M	N	O	P
W2412B*	161	161	172	172	253	253	260	264	264	278	278
W2712B*	X	X	X	X	259	259	264	270	270	284	284
W3012B	190	190	200	200	265	265	271	276	276	288	288
W3312*	211	211	222	222	281	281	288	293	293	308	308
W3612	238	238	250	250	296	296	302	309	309	323	323

- B = butt doors
- Assembled, add \$14 net
- Upgrade to Blum hinges for \$12 net
- * = Available Assembled Only Designer
- * = Available 10/1/21 Designer

Available Modifications:

- CUT-WALL
- INCREASE-WALL
- PAINTED INTERIOR
- PREP FOR GLASS

Wall Bridge Cabinets: 15~h, 2 Doors



	E	F	G	H	J	K	L	M	N	O	P
W2415B	X	X	X	X	269	269	251	255	255	267	267
W2715B*	X	X	X	X	281	281	288	293	293	308	308
W3015B	216	216	229	229	290	290	296	302	302	317	317
W3315	240	240	253	253	308	308	316	321	321	335	335
W3615	258	258	272	272	334	334	342	348	348	364	364

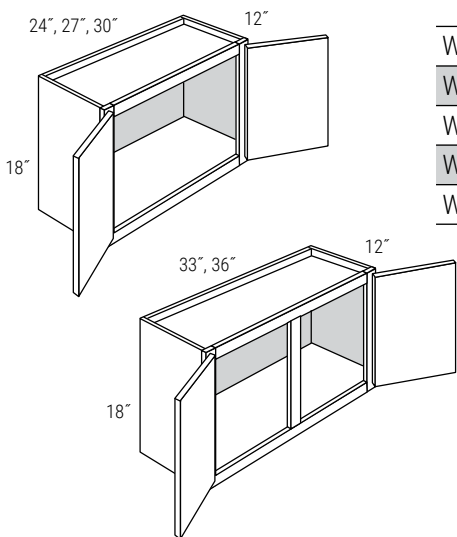
- B = butt doors
- Assembled, add \$14 net
- Upgrade to Blum hinges for \$12 net
- * = Available Assembled Only Designer
- * = Available 10/1/21 Designer

Available Modifications:

- CUT-WALL
- INCREASE-WALL
- PAINTED INTERIOR
- PREP FOR GLASS

Wall Cabinets

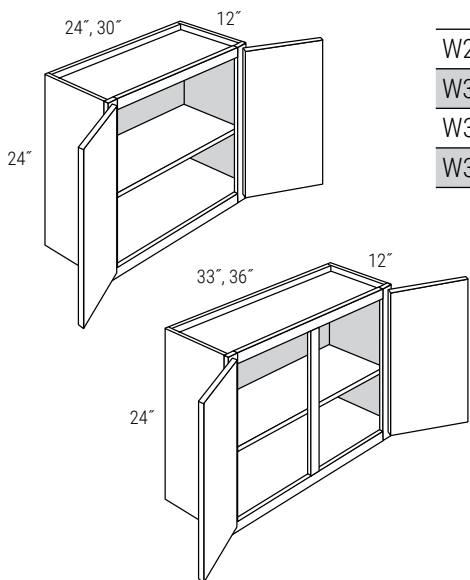
Wall Bridge Cabinets: 18" h, 2 Doors



	E	F	G	H	J	K	L	M	N	O	P
W2418B*	208	208	220	220	289	289	296	301	301	317	317
W2718B*	X	X	X	X	301	301	306	313	313	329	329
W3018B	245	245	257	257	322	322	329	336	336	350	350
W3318	272	272	287	287	347	347	354	361	361	378	378
W3618	297	297	313	313	372	372	379	388	388	405	405

- B = butt doors
 - Assembled, add \$14 net
 - Upgrade to Blum hinges for \$12 net
 - * = Available Assembled Only Designer
 - * = Available 10/1/21 Designer
- Available Modifications:
- CUT-WALL
 - INCREASE-WALL
 - PAINTED INTERIOR
 - PREP FOR GLASS

Wall Bridge Cabinets: 24" h, 2 Doors

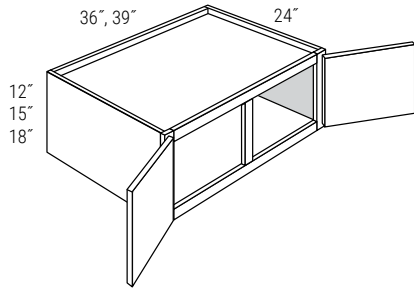


	E	F	G	H	J	K	L	M	N	O	P
W2424B	274	274	288	288	X	X	X	X	X	X	X
W3024B	323	323	341	341	422	422	431	441	441	460	460
W3324	358	358	377	377	X	X	X	X	X	X	X
W3624	402	402	424	424	479	479	488	500	500	522	522

- B = butt doors
 - Assembled, add \$14 net
 - Upgrade to Blum hinges for \$12 net
- Available Modifications:
- CUT-WALL
 - INCREASE-WALL
 - PAINTED INTERIOR
 - PREP FOR GLASS

Wall Cabinets

Wall Refrigerator Cabinets: 24" d, 2 Doors



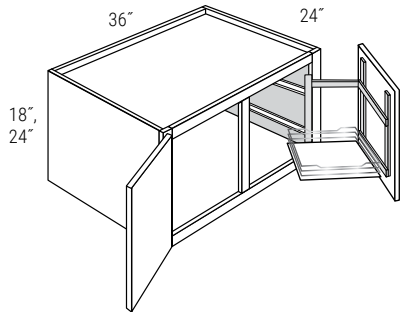
	E	F	G	H	J	K	L	M	N	O	P
W361224	292	292	304	304	473	473	482	501	501	515	515
W361524	329	329	343	343	488	488	499	517	517	533	533
W361824	365	365	381	381	504	504	515	530	530	547	547
W391224	X	X	X	X	545	545	556	566	566	591	591
W391524	X	X	X	X	563	563	575	587	587	613	613
W391824	X	X	X	X	580	580	594	604	604	631	631

- Assembled, add \$14 net
- Upgrade to Blum hinges for \$12 net

Available Modifications:

- CUT-WALL
- INCREASE-WALL
- PAINTED INTERIOR
- PREP FOR GLASS

Wall Refrigerator Cabinets: 24" d, 2 Doors with Pullout Shelf



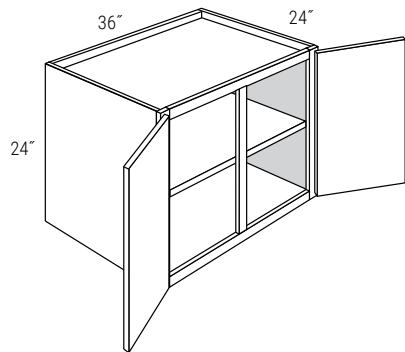
	E	F	G	H	J	K	L	M	N	O	P
W361824APPPULL	1736	1736	1752	1752	1875	1875	1886	1907	1907	1922	1922
W362424APPPULL	1867	1867	1889	1889	2014	2014	2027	2048	2048	2070	2070

- Assembly and installation add \$42 net
- Specify left or right on order
- Upgrade to Blum hinges for \$6 net

Available Modifications:

- PAINTED INTERIOR

Wall Refrigerator Cabinets: 24" d, 2 Doors



	E	F	G	H	J	K	L	M	N	O	P
W362424	496	496	518	518	643	643	656	677	677	699	699

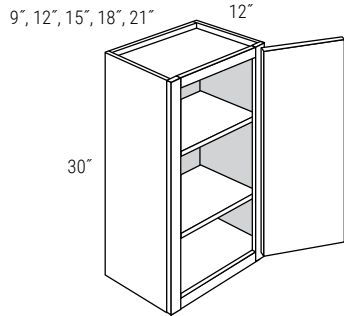
- Assembled, add \$14 net
- Upgrade to Blum hinges for \$12 net

Available Modifications:

- CUT-WALL
- INCREASE-WALL
- PAINTED INTERIOR
- PREP FOR GLASS

Wall Cabinets

Wall Cabinets: 30"h, 1 Door



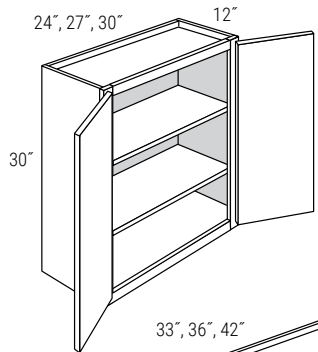
	E	F	G	H	J	K	L	M	N	O	P
W0930	173	173	181	181	227	227	232	238	238	249	249
W1230	202	202	211	211	258	258	265	268	268	282	282
W1530	232	232	244	244	296	296	302	309	309	323	323
W1830	262	262	275	275	334	334	342	348	348	364	364
W2130	293	293	307	307	374	374	383	392	392	408	408

- Assembled, add \$14 net
- Upgrade to Blum hinges for \$6 net

Available Modifications:

- CUT-WALL
- INCREASE-WALL
- PAINTED INTERIOR
- PREP FOR GLASS

Wall Cabinets: 30"h, 2 Doors

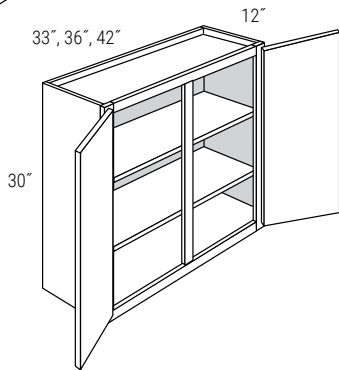


	E	F	G	H	J	K	L	M	N	O	P
W2430B	339	339	355	355	442	442	451	459	459	480	480
W2730B	369	369	388	388	474	474	484	494	494	516	516
W3030B	399	399	421	421	514	514	526	537	537	561	561
W3330	443	443	467	467	548	548	560	570	570	595	595
W3630	481	481	507	509	593	593	605	618	618	650	650
W4230	546	546	574	576	700	700	714	730	730	762	762

- B = butt doors
- Assembled, add \$14 net
- Upgrade to Blum hinges for \$12 net

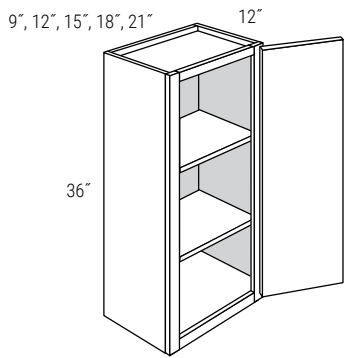
Available Modifications:

- CUT-WALL
- INCREASE-WALL
- PAINTED INTERIOR
- PREP FOR GLASS



Wall Cabinets

Wall Cabinets: 36" h, 1 Door



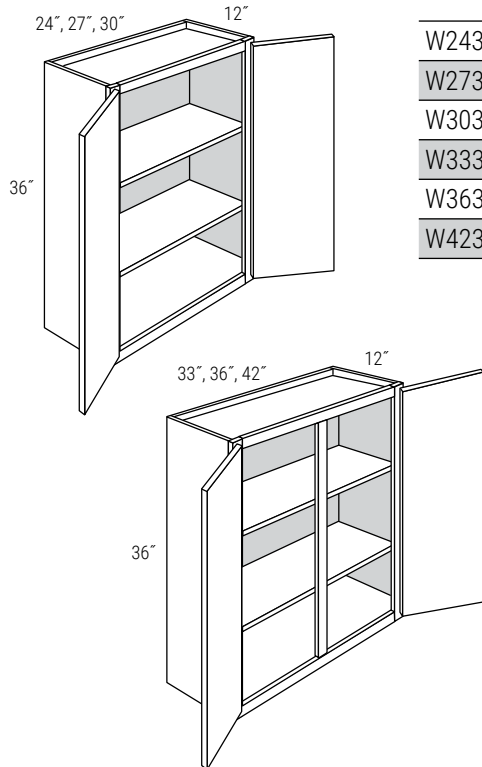
	E	F	G	H	J	K	L	M	N	O	P
W0936	201	201	210	210	258	258	265	268	268	282	282
W1236	232	232	244	244	296	296	302	309	309	323	323
W1536	265	265	278	278	347	347	354	361	361	378	378
W1836	297	297	313	313	391	391	400	407	407	425	425
W2136	334	334	350	350	442	442	451	459	459	480	480

- Assembled, add \$14 net
- Upgrade to Blum hinges for \$6 net

Available Modifications:

- CUT-WALL
- INCREASE-WALL
- PAINTED INTERIOR
- PREP FOR GLASS

Wall Cabinets: 36" h, 2 Doors



	E	F	G	H	J	K	L	M	N	O	P
W2436B	387	387	406	406	517	517	528	539	539	563	563
W2736B	422	422	444	444	560	560	574	586	586	611	611
W3036B	456	456	480	480	611	611	625	638	638	666	666
W3336	508	508	534	534	655	655	670	684	684	714	714
W3636	549	549	581	582	706	706	721	736	736	772	772
W4236	621	621	653	654	812	812	830	845	845	887	887

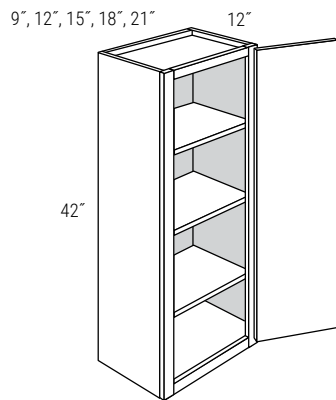
- B = butt doors
- Assembled, add \$14 net
- Upgrade to Blum hinges for \$12 net

Available Modifications:

- CUT-WALL
- INCREASE-WALL
- PAINTED INTERIOR
- PREP FOR GLASS

Wall Cabinets

Wall Cabinets: 42" h, 1 Door



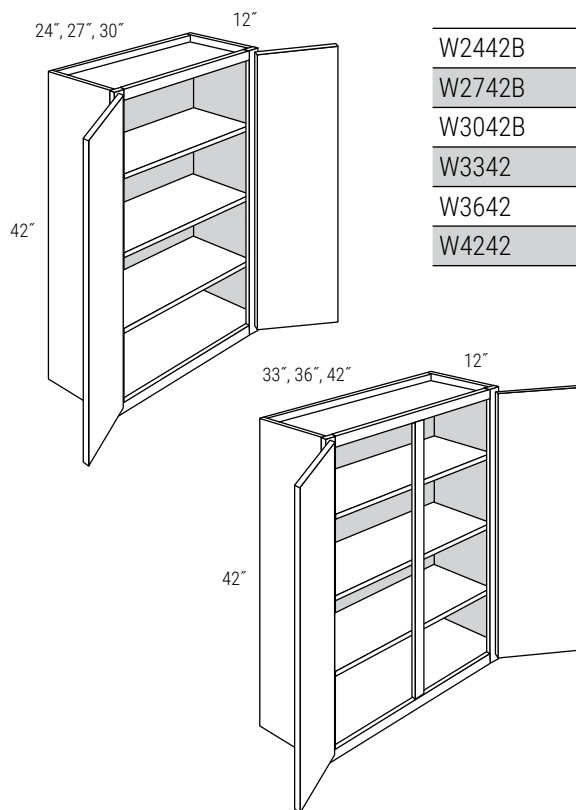
	E	F	G	H	J	K	L	M	N	O	P
W0942	234	234	246	246	283	283	290	297	297	310	310
W1242	271	271	286	286	328	328	335	342	342	356	356
W1542	313	313	329	329	378	378	386	395	395	413	413
W1842	351	351	371	371	428	428	437	446	446	467	467
W2142	396	396	416	416	485	485	496	505	505	528	528

- Assembled, add \$14 net
- Upgrade to Blum hinges for \$9 net

Available Modifications:

- CUT-WALL
- INCREASE-WALL
- PAINTED INTERIOR
- PREP FOR GLASS

Wall Cabinets: 42" h, 2 Doors



	E	F	G	H	J	K	L	M	N	O	P
W2442B	456	456	480	480	568	568	580	591	591	618	618
W2742B	499	499	524	524	618	618	631	645	645	672	672
W3042B	537	537	564	564	668	668	683	696	696	726	726
W3342	601	601	631	631	725	725	740	755	755	787	787
W3642	645	645	685	683	775	775	792	807	807	849	849
W4242	740	740	780	780	907	907	928	945	945	991	991

- B = butt doors
- Assembled, add \$14 net
- Upgrade to Blum hinges for \$18 net

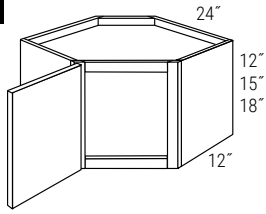
Available Modifications:

- CUT-WALL
- INCREASE-WALL
- PAINTED INTERIOR
- PREP FOR GLASS

Wall Cabinets

Wall Diagonal Corner Cabinets: 12", 15" and 18"h, 1 Door

New!

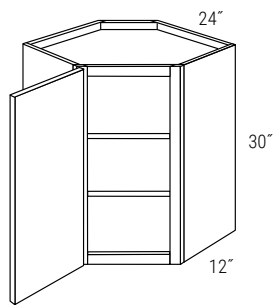


	E	F	G	H	J	K	L	M	N	O	P
WDC2412	X	X	X	X	409	409	420	426	426	445	445
WDC2415	X	X	X	X	443	443	455	460	460	480	480
WDC2418	X	X	X	X	474	474	489	494	494	514	514

- **AVAILABLE 10/1/21**
- Assembled, add \$14 net
- Upgrade to Blum hinges for \$6 net

- Available Modifications:
- PAINTED INTERIOR
 - PREP FOR GLASS

Wall Diagonal Corner Cabinets: 30"h, 1 Door



	E	F	G	H	J	K	L	M	N	O	P
WDC2430	420	420	442	442	586	586	599	611	611	637	637

- Assembled, add \$14 net
- Upgrade to Blum hinges for \$6 net

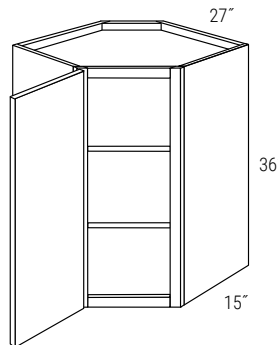
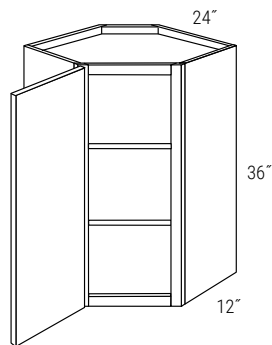
- Available Modifications:
- PAINTED INTERIOR
 - PREP FOR GLASS

Wall Diagonal Corner Cabinets: 36"h, 1 Door

- Assembled, add \$14 net
- Upgrade to Blum hinges for \$6 net

- Available Modifications:
- PAINTED INTERIOR
 - PREP FOR GLASS

	E	F	G	H	J	K	L	M	N	O	P
12" deep											
WDC2436	466	466	490	490	694	694	708	721	721	754	754
15" deep											
WDC2736	X	X	X	X	800	800	817	834	834	867	867



Wall Cabinets

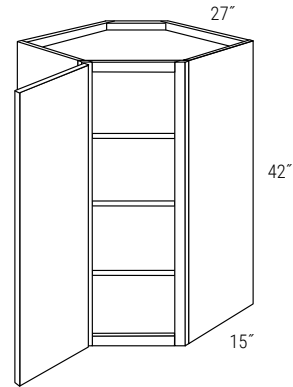
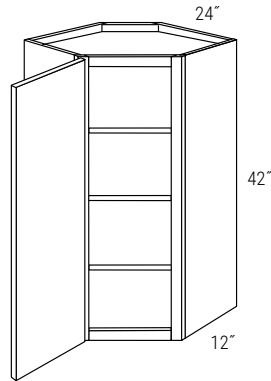
Wall Diagonal Corner Cabinets: 42" h, 1 Door

- Assembled, add \$14 net
- Upgrade to Blum hinges for \$9 net

Available Modifications:

- PAINTED INTERIOR
- PREP FOR GLASS

	E	F	G	H	J	K	L	M	N	O	P
12" deep											
WDC2442	559	559	587	587	756	756	773	789	789	822	822
15" deep											
WDC2742	X	X	X	X	920	920	940	967	967	1000	1000



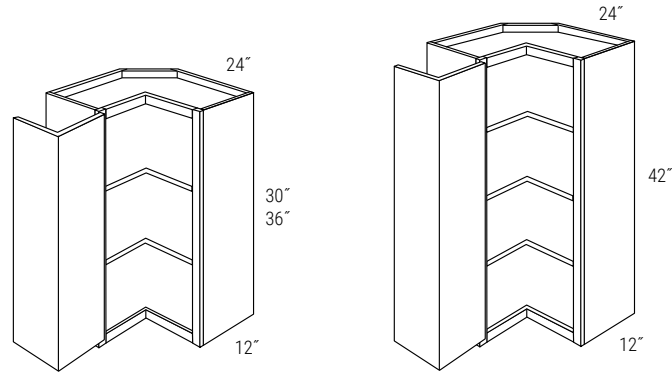
Wall Cabinets

Wall Square Corner Cabinets: 12"d, Bi-Fold Door

- Assembled, add \$14 net
- Hinge upgrade not available

- Available Modifications:
- PAINTED INTERIOR
 - PREP FOR GLASS

	E	F	G	H	J	K	L	M	N	O	P
SCW2430	X	X	X	X	733	733	749	765	765	798	798
SCW2436	X	X	X	X	866	866	886	903	903	943	943
SCW2442	X	X	X	X	946	946	966	986	986	1027	1027

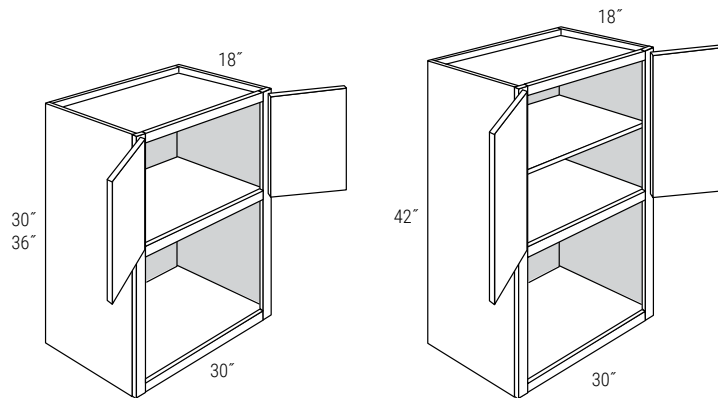


Wall Microwave Cabinets: 18"d, 2 Door

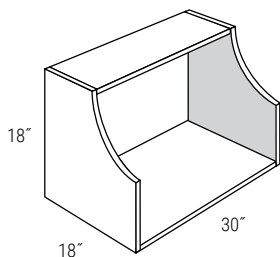
- B = butt doors
- 42" high has one adjustable shelf in top section
- 26³/₄" x 16³/₈" opening
- All styles have matching interior
- Assembled, add \$14 net
- Upgrade to Blum hinges for \$12 net

- Available Modifications:
- N/A

	E	F	G	H	J	K	L	M	N	O	P
MW3030	X	X	X	X	688	688	703	737	737	749	749
MW3036	X	X	X	X	806	806	824	863	863	877	877
MW3042	X	X	X	X	938	938	959	1003	1003	1022	1022



Wall Microwave Shelf



	E	F	G	H	J	K	L	M	N	O	P
MO3018	204	204	215	215	X	X	X	X	X	X	X

- Finished ends standard
- Matching finished interior
- Assembled, add \$14 net

- Available Modifications:
- N/A

Wall Cabinets

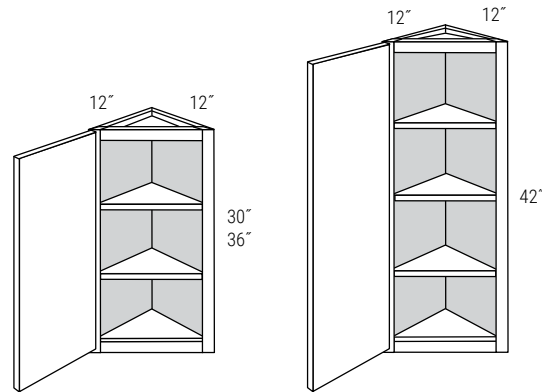
Wall Angle End Cabinets: 12"d, 1 Door

- Pre-assembled
- Upgrade AW30 and AW36 to Blum hinges for \$6 net
- Upgrade AW42 to Blum hinges for \$9 net

	E	F	G	H	J	K	L	M	N	O	P
AW30	287	287	301	301	353	353	360	368	368	384	384
AW36	328	328	344	344	428	428	437	446	446	467	467
AW42	397	397	418	418	498	498	509	520	520	542	542

Available Modifications:

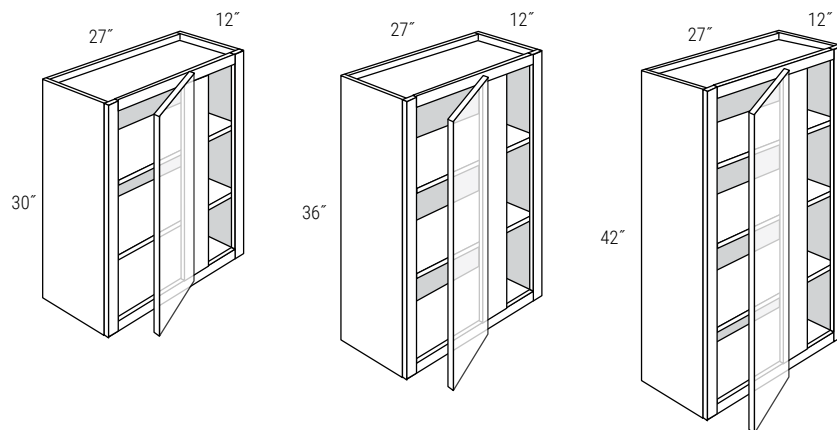
- N/A



Wall Blind Cabinets: 1 Door

- Right shown
- Assembled, add \$14 net
- For Full overlay with hardware use the Recommended Installation dimensions
- To maintain equal 3" reveal on blind cabinet, to match adjacent 3" reveal on filler, always order planned installation dimension to match highest Recommended Installation dimension
- Filler sold separately
- Upgrade WBC2730 and WBC2736 to Blum hinges for \$6 net
- Upgrade WBC2742 to Blum hinges for \$9 net

	E	F	G	H	J	K	L	M	N	O	P
WBC2730	331	331	343	343	434	434	445	460	460	474	474
WBC2736	375	375	388	388	X	X	X	X	X	X	X
WBC2742	450	450	467	467	X	X	X	X	X	X	X



Available Modifications:

- PAINTED INTERIOR
- PREP FOR GLASS

Act..... Represents the **Actual** width of the cabinet.

Min..... Represents the absolute **Minimum** distance the cabinet and pull from the wall can take up INCLUDING any additional pull for hardware and/or full overlay styles.

Max..... Represents the absolute **Maximum** distance the cabinet and pull from the wall can take up INCLUDING any additional pull for hardware and/or for full overlay styles.

Op..... Represents the actual width of the door **Opening**.

INSTALLATION DIMENSIONS:

Cabinet	Act	Min	Max	Op
WBC2730	27"	27"	31"	12"
WBC2736	27"	27"	31"	12"
WBC2742	27"	27"	31"	12"

Wall Cabinets

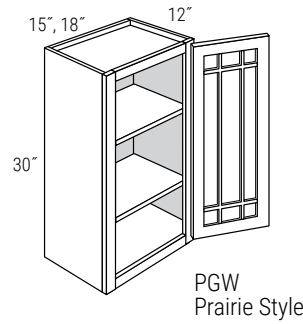
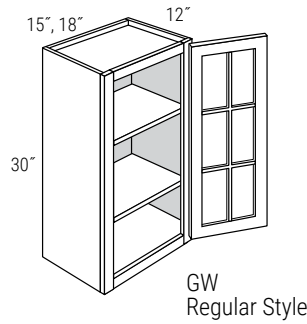
Wall Cabinets with Glass Doors: 30" h, 1 Door

- Glass included
- GW: All styles except Dover and Essex have mullions
- PGW: All styles have mullions
- Assembled, add \$14 net
- Upgrade to Blum hinges for \$6 net

	E	F	G	H	J	K	L	M	N	O	P
GW1530	X	X	X	X	442	442	452	468	468	482	482
PGW1530	X	X	X	X	442	442	452	468	468	482	482
GW1830	X	X	X	X	495	495	506	523	523	539	539
PGW1830	X	X	X	X	495	495	506	523	523	539	539

Available Modifications:

- CUT-WALL
- INCREASE-WALL
- PAINTED INTERIOR



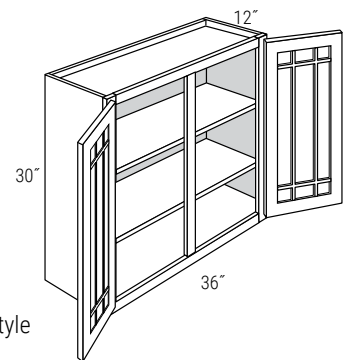
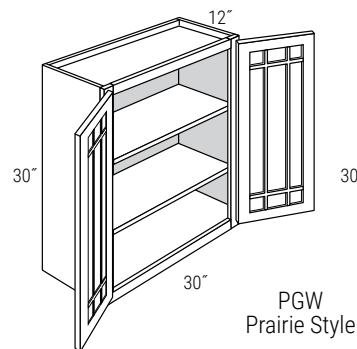
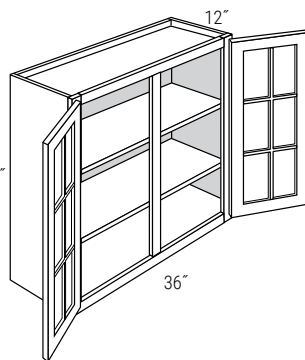
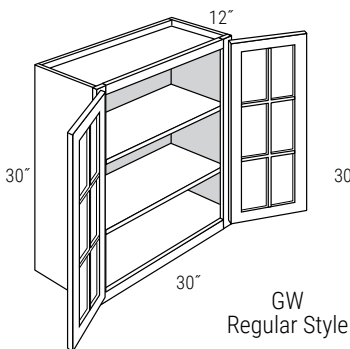
Wall Cabinets with Glass Doors: 30" h, 2 Doors

- Glass included
- GW: All styles except Dover and Essex have mullions
- PGW: All styles have mullions
- B = butt doors
- Assembled, add \$14 net
- Upgrade to Blum hinges for \$12 net

	E	F	G	H	J	K	L	M	N	O	P
GW3030B	X	X	X	X	814	814	833	864	864	889	889
PGW3030B	X	X	X	X	814	814	833	864	864	889	889
GW3630	X	X	X	X	915	915	935	968	968	998	998
PGW3630	X	X	X	X	915	915	935	968	968	998	998

Available Modifications:

- CUT-WALL
- INCREASE-WALL
- PAINTED INTERIOR



Wall Cabinets

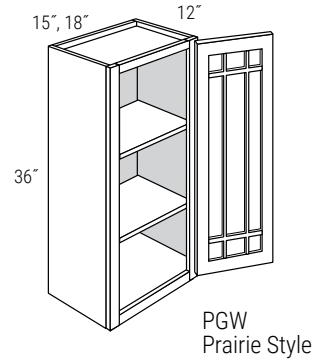
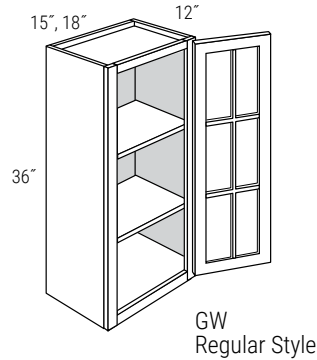
Wall Cabinets with Glass Doors: 36" h, 1 Door

- Glass included
- GW: All styles except Dover and Essex have mullions
- PGW: All styles have mullions
- Assembled, add \$14 net
- Upgrade to Blum hinges for \$6 net

	E	F	G	H	J	K	L	M	N	O	P
GW1536	X	X	X	X	515	515	526	544	544	560	560
PGW1536	X	X	X	X	515	515	526	544	544	560	560
GW1836	X	X	X	X	584	584	596	616	616	634	634
PGW1836	X	X	X	X	584	584	596	616	616	634	634

Available Modifications:

- CUT-WALL
- INCREASE-WALL
- PAINTED INTERIOR



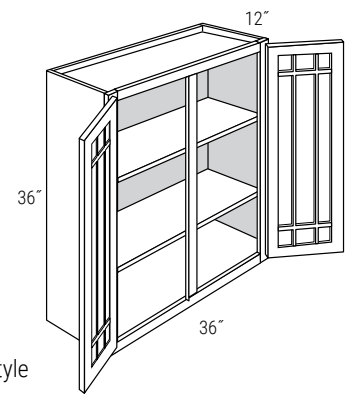
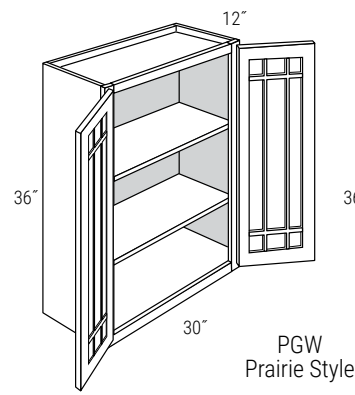
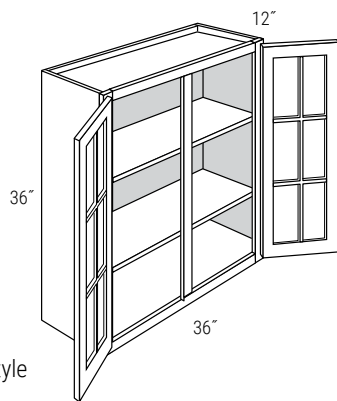
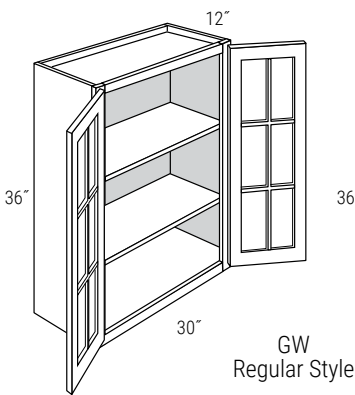
Wall Cabinets with Glass Doors: 36" h, 2 Doors

- Glass included
- GW: All styles except Dover and Essex have mullions
- PGW: All styles have mullions
- B = butt doors
- Assembled, add \$14 net
- Upgrade to Blum hinges for \$12 net

	E	F	G	H	J	K	L	M	N	O	P
GW3036B	X	X	X	X	957	957	978	1016	1016	1045	1045
PGW3036B	X	X	X	X	957	957	978	1016	1016	1045	1045
GW3636	X	X	X	X	1092	1092	1114	1153	1153	1189	1189
PGW3636	X	X	X	X	1092	1092	1114	1153	1153	1189	1189

Available Modifications:

- CUT-WALL
- INCREASE-WALL
- PAINTED INTERIOR



Wall Cabinets

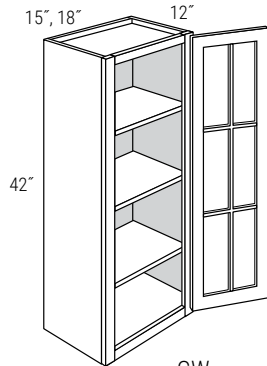
Wall Cabinets with Glass Doors: 42" h, 1 Door

- Glass included
- GW: All styles except Dover and Essex have mullions
- PGW: All styles have mullions
- Assembled, add \$14 net
- Upgrade to Blum hinges for \$9 net

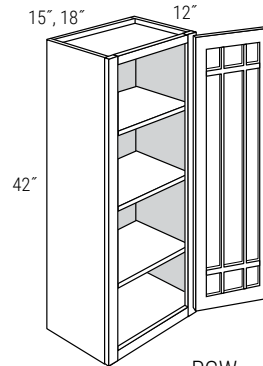
	E	F	G	H	J	K	L	M	N	O	P
GW1542	X	X	X	X	560	560	574	594	594	612	612
PGW1542	X	X	X	X	560	560	574	594	594	612	612
GW1842	X	X	X	X	648	648	661	684	684	704	704
PGW1842	X	X	X	X	648	648	661	684	684	704	704

Available Modifications:

- CUT-WALL
- INCREASE-WALL
- PAINTED INTERIOR



GW
Regular Style



PGW
Prairie Style

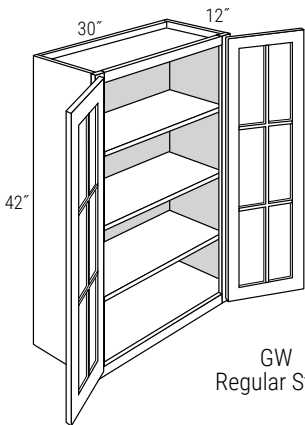
Wall Cabinets with Glass Doors: 42" h, 2 Doors

- Glass included
- GW: All styles except Dover and Essex have mullions
- PGW: All styles have mullions
- B = butt doors
- Assembled, add \$14 net
- Upgrade to Blum hinges for \$12 net

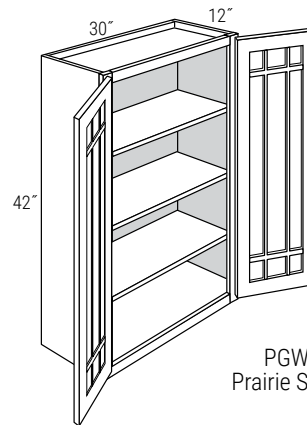
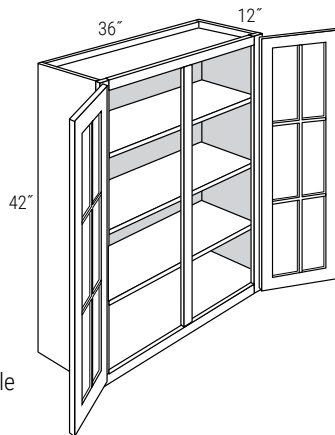
	E	F	G	H	J	K	L	M	N	O	P
GW3042B	X	X	X	X	1042	1042	1066	1104	1104	1134	1134
PGW3042B	X	X	X	X	1042	1042	1066	1104	1104	1134	1134
GW3642	X	X	X	X	1215	1215	1241	1283	1283	1322	1322
PGW3642	X	X	X	X	1215	1215	1241	1283	1283	1322	1322

Available Modifications:

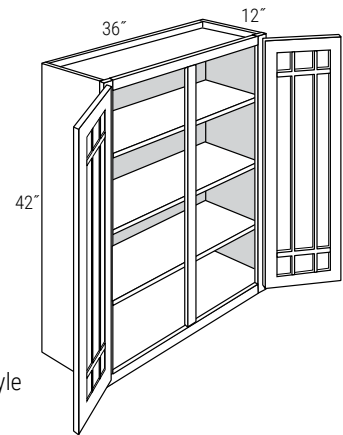
- CUT-WALL
- INCREASE-WALL
- PAINTED INTERIOR



GW
Regular Style



PGW
Prairie Style



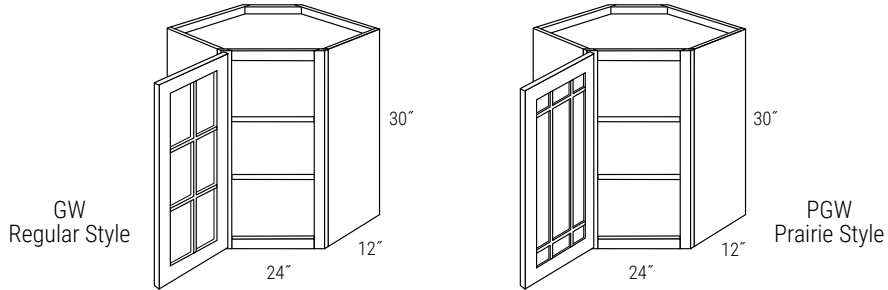
Wall Cabinets

Wall Diagonal Corner Cabinets with Glass Doors: 30" h, 1 Door

- Glass included
- GW: All styles except Dover and Essex have mullions
- PGW: All styles have mullions
- Assembled, add \$14 net
- Upgrade to Blum hinges for \$6 net

	E	F	G	H	J	K	L	M	N	O	P
GWDC2430	X	X	X	X	768	768	785	810	810	836	836
PGWDC2430	X	X	X	X	768	768	785	810	810	836	836

- Available Modifications:
- PAINTED INTERIOR

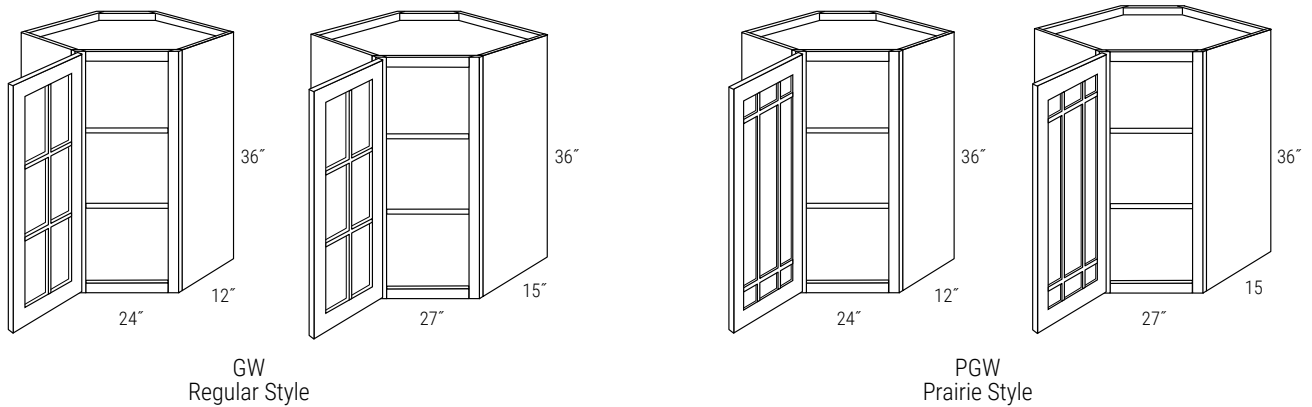


Wall Diagonal Corner Cabinets with Glass Doors: 36" h, 1 Door

- Glass included
- GW: All styles except Dover and Essex have mullions
- PGW: All styles have mullions
- Assembled, add \$14 net
- Upgrade to Blum hinges for \$6 net

	E	F	G	H	J	K	L	M	N	O	P
12" deep											
GWDC2436	X	X	X	X	914	914	932	960	960	972	972
PGWDC2436	X	X	X	X	914	914	932	960	960	972	972
15" deep											
GWDC2736	X	X	X	X	1020	1020	1042	1072	1072	1104	1104
PGWDC2736	X	X	X	X	1020	1020	1042	1072	1072	1104	1104

- Available Modifications:
- PAINTED INTERIOR



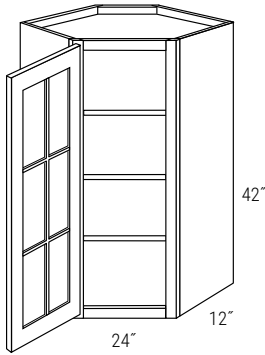
Wall Cabinets

Wall Diagonal Corner Cabinets with Glass Doors: 42" h, 1 Door

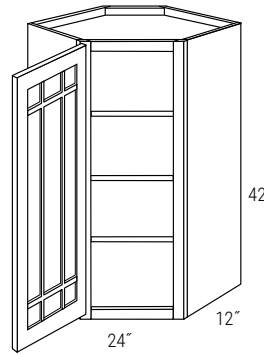
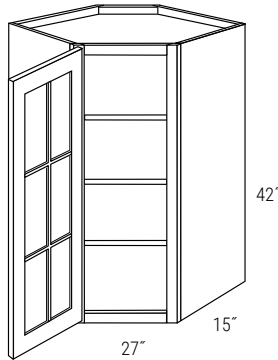
- Glass included
- GW: All styles except Dover and Essex have mullions
- PGW: All styles have mullions
- Assembled, add \$14 net
- Upgrade to Blum hinges for \$9 net

- Available Modifications:
- PAINTED INTERIOR

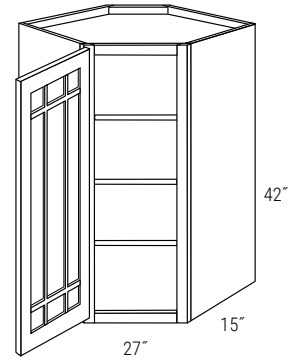
	E	F	G	H	J	K	L	M	N	O	P
12" deep											
GWDC2442	X	X	X	X	1004	1004	1026	1057	1057	1092	1092
PGWDC2442	X	X	X	X	1004	1004	1026	1057	1057	1092	1092
15" deep											
GWDC2742	X	X	X	X	1168	1168	1193	1236	1236	1271	1271
PGWDC2742	X	X	X	X	1168	1168	1193	1236	1236	1271	1271



GW
Regular Style

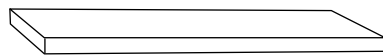


PGW
Prairie Style



Floating Shelves

New!



12", 18", 21", 24", 30", 36"

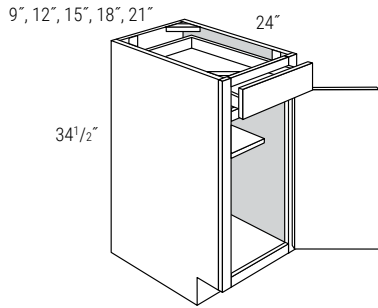
	E	F	G	H	J	K	L	M	N	O	P
FS12	X	X	X	X	270	270	270	270	270	270	270
FS18	X	X	X	X	299	299	299	299	299	299	299
FS21	X	X	X	X	332	332	332	332	332	332	332
FS24	X	X	X	X	361	361	361	361	361	361	361
FS30	X	X	X	X	398	398	398	398	398	398	398
FS36	X	X	X	X	467	467	467	467	467	467	467

• AVAILABLE 10/1/21

Available Modifications:
• N/A

Base Cabinets

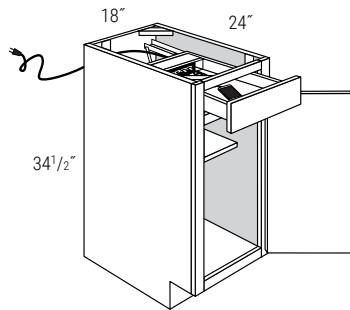
Base Cabinets: 1 Door, 1 Drawer



	E	F	G	H	J	K	L	M	N	O	P
BF09	229	229	241	241	359	359	335	373	373	390	390
B12	360	381	378	399	473	517	482	493	538	515	559
B15	394	421	413	440	510	554	522	532	576	556	599
B18	428	458	450	480	549	593	560	571	616	597	641
B21	461	498	484	521	582	627	595	607	651	633	678

- BF09 has full-height door
 - Assembled, add \$20 net
 - Upgrade to Blum hinges and glides for \$33 net
- Available Modifications:
- CUT-BASE1DR
 - SB-CONV

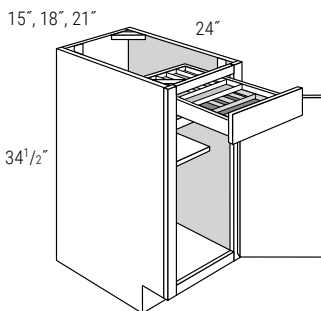
Base Cabinets with Charging Drawer: 1 Door, 1 Drawer



	E	F	G	H	J	K	L	M	N	O	P
B18CHGDR18	1842	1872	1864	1894	1963	2007	1974	1985	2030	2011	2055

- Assembly and installation add \$42 net
 - Upgrade to Blum hinges for \$6 net
- Available Modifications:
- N/A

Base Cabinets with 2-Tier Cutlery Drawer: 1 Door, 1 Drawer

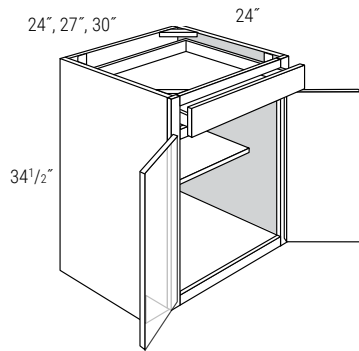


	E	F	G	H	J	K	L	M	N	O	P
B18TTCD18	946	976	968	998	1067	1111	1078	1089	1134	1115	1159

- Assembly and installation add \$42 net
 - Upgrade to Blum hinges for \$6 net
- Available Modifications:
- N/A

Base Cabinets

Base Cabinets: 2 Doors, 1 Drawer

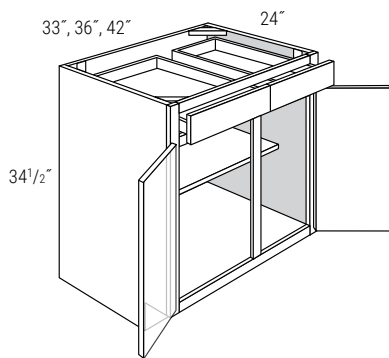


	E	F	G	H	J	K	L	M	N	O	P
B24B	511	554	536	579	662	706	677	690	734	720	764
B27B	548	594	576	622	700	745	715	730	774	762	806
B30B	588	640	618	670	746	790	762	777	820	811	855

- B = butt doors
- Assembled, add \$20 net
- Upgrade to Blum hinges and glides for \$39 net

- Available Modifications:
- CUT-BASE1DR
 - SB-CONV

Base Cabinets: 2 Doors, 2 Drawers

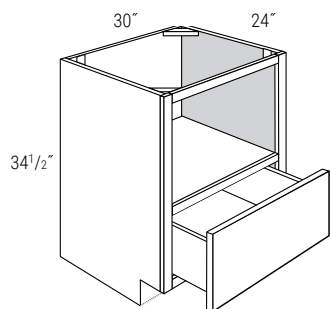


	E	F	G	H	J	K	L	M	N	O	P
B33	702	762	737	797	877	963	895	912	1000	952	1040
B36	754	814	798	858	914	1002	934	952	1042	1004	1092
B42	832	906	878	952	1037	1127	1062	1084	1172	1136	1226

- Assembled, add \$20 net
- Upgrade to Blum hinges and glides for \$66 net

- Available Modifications:
- CUT-BASE2DR
 - SB-CONV

Base Microwave Cabinets: Open Shelf, 1 Drawer



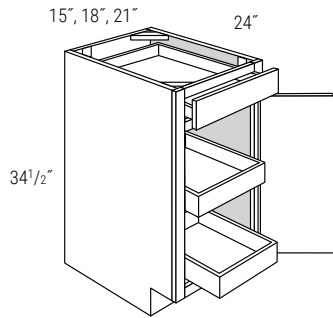
	E	F	G	H	J	K	L	M	N	O	P
MB30	598	598	628	628	787	787	805	820	820	858	858

- Matching finished interior
- Assembled, add \$20 net
- Upgrade to Blum glides for \$27 net

- Available Modifications:
- N/A

Base Cabinets

Base Cabinets with Soft-Close Rollouts: 1 Doors, 1 Drawer, 2 Rollouts

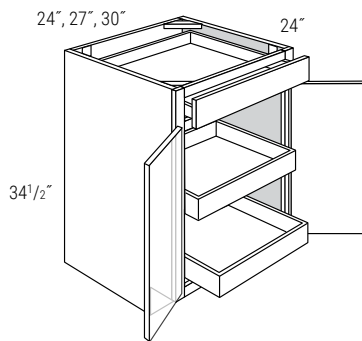


	E	F	G	H	J	K	L	M	N	O	P
B15SCRT	584	611	603	630	700	744	712	722	766	746	789
B18SCRT	634	664	656	686	755	799	766	777	822	803	847
B21SCRT	685	722	708	745	806	851	819	831	875	857	902

- Assembly and installation add \$42 net
- Upgrade to Blum hinges and glides for \$87 net

- Available Modifications:
- CUT-BASE3DR
 - SB-CONV

Base Cabinets with Soft-Close Rollouts: 2 Doors, 1 Drawer, 2 Rollouts

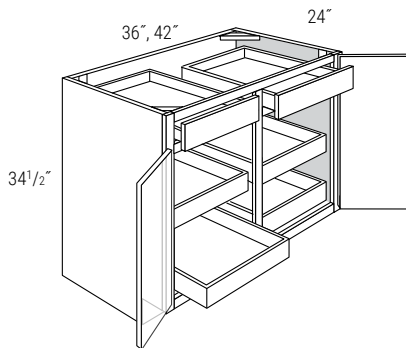


	E	F	G	H	J	K	L	M	N	O	P
B24BSCRT	751	794	776	819	902	946	797	930	974	960	1004
B27BSCRT	804	850	832	878	956	1001	971	986	1030	1018	1062
B30BSCRT	862	914	892	944	1020	1064	1036	1051	1094	1085	1129

- Assembly and installation add \$42 net
- Upgrade to Blum hinges and glides for \$93 net

- Available Modifications:
- CUT-BASE3DR
 - SB-CONV

Base Cabinets with Soft-Close Rollouts: 2 Doors, 2 Drawers, 4 Rollouts



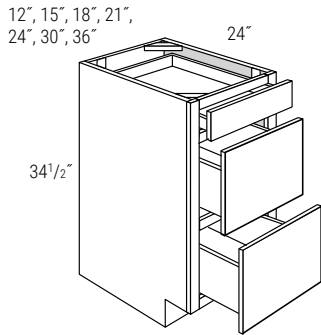
	E	F	G	H	J	K	L	M	N	O	P
B36SCRT	1166	1226	1210	1270	1326	1414	1346	1364	1454	1416	1504
B42SCRT	1280	1354	1326	1400	1485	1575	1510	1532	1620	1584	1674

- Assembly and installation add \$64 net
- Upgrade to Blum hinges and glides for \$174 net

- Available Modifications:
- CUT-BASE4DR
 - SB-CONV

Base Cabinets

Drawer Base Cabinets: 3 Drawers

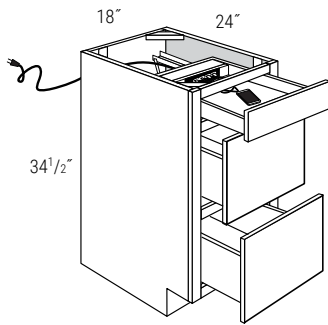


	E	F	G	H	J	K	L	M	N	O	P
DB12	607	628	636	657	827	871	863	870	914	911	954
DB15	661	688	694	721	857	901	876	894	938	932	977
DB18	713	743	751	781	903	947	923	941	985	982	1026
DB21	775	812	815	852	957	1002	979	999	1043	1043	1086
DB24	829	872	872	915	1024	1068	1046	1065	1110	1112	1156
DB30	966	1018	1014	1066	1191	1235	1217	1242	1286	1296	1340
DB36	1171	1241	1230	1300	1443	1486	1475	1505	1549	1571	1614

- Assembled, add \$20 net
- Upgrade to Blum glides for \$81 net

- Available Modifications:
- CUT-BASE3DR
 - SB-CONV

Drawer Base Cabinets: 3 Drawers with Charging Drawer

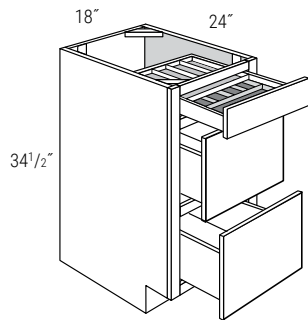


	E	F	G	H	J	K	L	M	N	O	P
DB18CHGDR18	2127	2157	2165	2195	2317	2361	2337	2355	2399	2396	2440

- Assembly and installation add \$42 net
- Upgrade to Blum glides for \$54 net

- Available Modifications:
- N/A

Drawer Base Cabinets: 3 Drawers with 2-Tier Cutlery Drawer

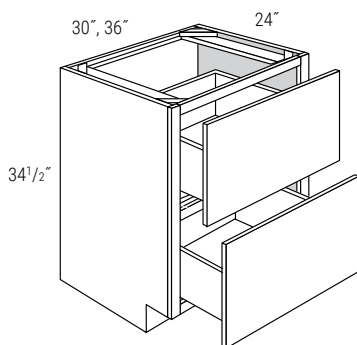


	E	F	G	H	J	K	L	M	N	O	P
DB18TTCD18	1231	1261	1269	1299	1421	1465	1441	1459	1503	1500	1544

- Assembly and installation add \$42 net
- Upgrade to Blum glides for \$54 net

- Available Modifications:
- N/A

Pots and Pans Base Cabinets: 2 Drawers



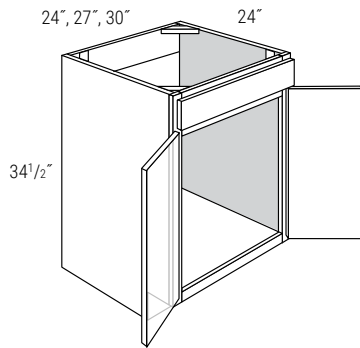
	E	F	G	H	J	K	L	M	N	O	P
2DB30	X	X	X	X	1093	1093	1097	1115	1115	1162	1162
2DB36	X	X	X	X	1273	1273	1280	1296	1296	1351	1351

- Assembled, add \$20 net
- Upgrade to Blum glides for \$54 net

- Available Modifications:
- CUT-BASE2DR

Base Cabinets

Sink Base Cabinets: 2 Doors, 1 Drawer Front



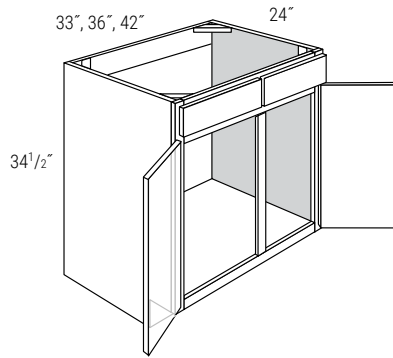
	E	F	G	H	J	K	L	M	N	O	P
SB24B	486	529	536	579	523	568	534	546	589	570	613
SB27B	522	568	576	622	529	574	540	552	596	576	620
SB30B	427	479	449	501	535	580	547	558	602	583	628

- B = butt doors
- Open back
- Assembled, add \$20 net
- Upgrade to Blum hinges for \$12 net

Available Modifications:

- CUT-SBASE
- FB CONV

Sink Base Cabinets: 2 Doors, 2 Drawer Fronts



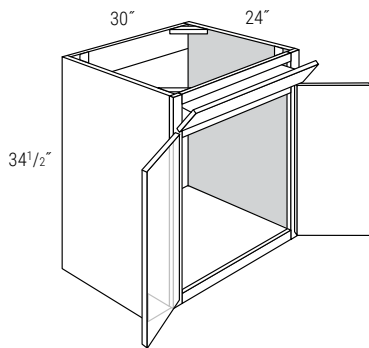
	E	F	G	H	J	K	L	M	N	O	P
SB33	467	527	490	550	548	636	560	571	659	596	684
SB36	494	554	520	580	560	649	574	584	673	610	698
SB42	551	625	578	652	643	731	656	671	758	700	787

- Open back
- Assembled, add \$20 net
- Upgrade to Blum hinges for \$12 net

Available Modifications:

- CUT-SBASE
- FB CONV

Sink Base Cabinets with Tilt Out: 2 Doors, 1 Tilt Out



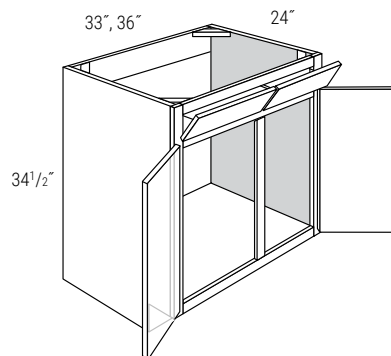
	E	F	G	H	J	K	L	M	N	O	P
SB30B-1TILT	532	584	554	606	640	685	652	663	707	688	733

- B = butt doors
- Open back
- Assembly and installation add \$42 net
- Upgrade to Blum hinges for \$12 net

Available Modifications:

- CUT-SBASE
- FB CONV

Sink Base Cabinets with Tilt Outs: 2 Doors, 2 Tilt Outs



	E	F	G	H	J	K	L	M	N	O	P
SB33-2TILT	599	659	622	682	680	768	692	703	791	728	816
SB36-2TILT	638	698	664	724	704	793	718	728	817	754	842

- Open back
- Assembly and installation add \$42 net
- Upgrade to Blum hinges for \$12 net

Available Modifications:

- CUT-SBASE
- FB CONV

Base Cabinets

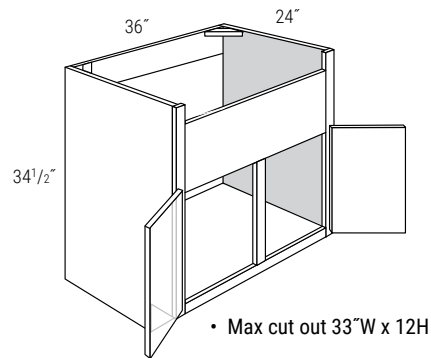
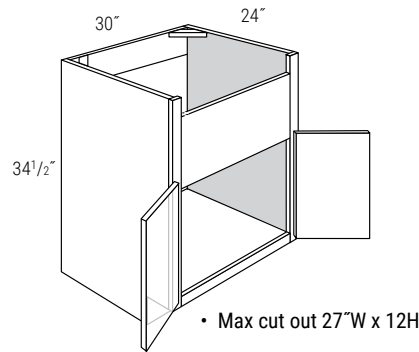
Farm Sink Base: 2 Doors

- B = butt doors
- Open back
- Refer to sink manufacturer's recommendations for additional sink support
- Assembled, add \$20 net
- Upgrade to Blum hinges for \$12 net
- Premier is assembled only
- Premier Available 10/1/21

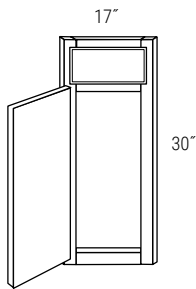
Available Modifications:

- CUT-SBASE
- FBCONV

	E	F	G	H	J	K	L	M	N	O	P
FSB30B	579	579	609	609	670	670	685	698	698	730	730
FSB36	637	637	670	670	701	701	716	731	731	762	762



Corner Sink Front: 1 Door



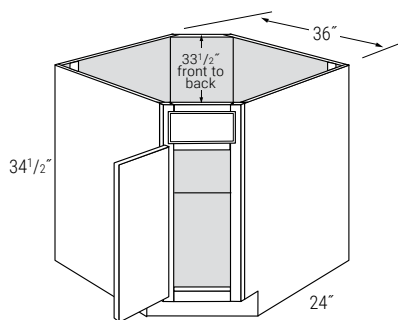
	E	F	G	H	J	K	L	M	N	O	P
CSF36	161	188	169	196	220	263	224	228	272	238	282

- Accepts one SB33TILT
- Fits space equal to LS36
- Upgrade to Blum hinges for \$6 net

Available Modifications:

- N/A

Diagonal Sink Base: 1 Door



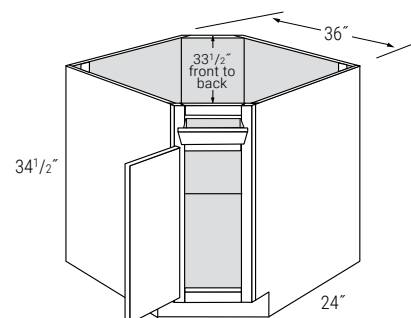
	E	F	G	H	J	K	L	M	N	O	P
DSB36	X	X	X	X	1039	1084	1062	1084	1127	1131	1174

- Accepts one SB33TILT
- Assembled, add \$20 net
- Upgrade to Blum hinges for \$6 net

Available Modifications:

- N/A

Diagonal Sink Base Cabinets with Tilt Out: 1 Door, 1 Tilt Out



	E	F	G	H	J	K	L	M	N	O	P
DSB36-1TILT	X	X	X	X	1111	1156	1134	1156	1199	1203	1246

- Assembly and installation add \$42 net
- Upgrade to Blum hinges for \$6 net

Available Modifications:

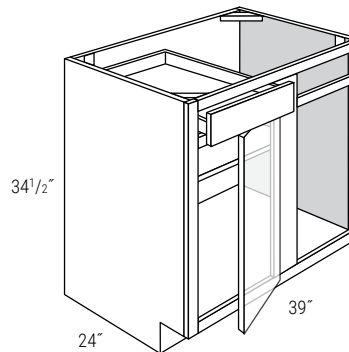
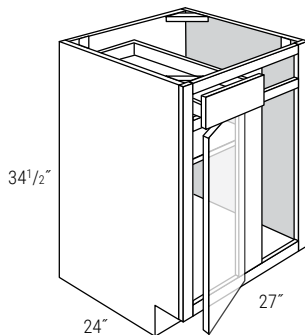
- N/A

Base Cabinets

Blind Base Cabinets: 1 Door, 1 Drawer

- Right shown
- Assembled, add \$20 net
- All blind bases must be pulled from the wall; see Recommended Installation dimensions
- For Full overlay with hardware use the Recommended Installation dimensions
- To maintain equal 3" reveal on blind cabinet, to match adjacent 3" reveal on filler, always order planned installation dimension to match highest Recommended Installation dimension
- Filler sold separately
- Upgrade to Blum hinges and glides for \$33 net

	E	F	G	H	J	K	L	M	N	O	P
BBC36/39	452	473	470	491	718	762	733	753	798	775	819
BBC42/45	554	584	576	606	809	853	827	849	894	875	919



Available Modifications:

- N/A

RECOMMENDED PULL DIMENSIONS:

BBC36/39 must be pulled a minimum of 11 1/2" from the wall.

BBC42/45 must be pulled a minimum of 5 1/2" from the wall.

BLIND CABINET DIMENSIONS:

Cabinet	Act	Min	Max	Op
BBC36/39	27"	38 1/2"	40"	9"
BBC42/45	39"	44 1/2"	46"	15"

LEGEND

Act..... Represents the **Actual** width of the cabinet.

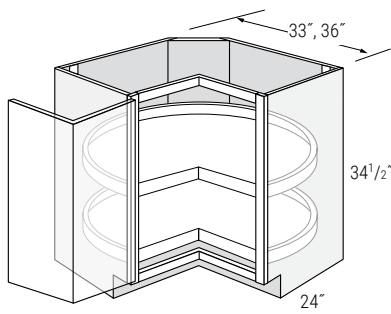
Min..... Represents the absolute **Minimum** distance the cabinet and pull from the wall can take up INCLUDING any additional pull for hardware and/or full overlay styles.

Max..... Represents the absolute **Maximum** distance the cabinet and pull from the wall can take up INCLUDING any additional pull for hardware and/or for full overlay styles.

Op..... Represents the actual width of the door **O**pening.

Base Cabinets

Corner Base Cabinets: Bi-Fold Door

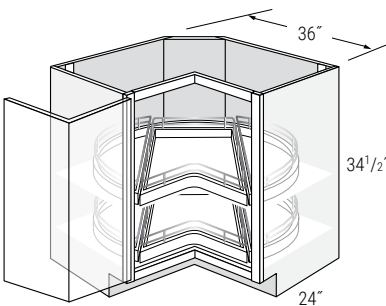


	E	F	G	H	J	K	L	M	N	O	P
LS33	767	767	806	806	977	977	998	1018	1018	1062	1062
LS36	838	838	880	880	1039	1039	1062	1084	1084	1130	1130

- Available left or right hinged
- Assembled, add \$28 net
- Blum upgrade not available

- Available Modifications:
- N/A

Square Corner Base Cabinets: Bi-Fold Door, 2 Lazy Susans with Drawer

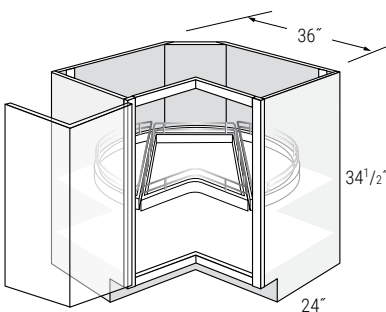


	E	F	G	H	J	K	L	M	N	O	P
LS36DR-BOTH	3124	3124	3166	3166	3325	3325	3348	3370	3370	3416	3416

- Available left or right hinged
- Assembly and installation add \$50 net
- Blum upgrade not available

- Available Modifications:
- N/A

Square Corner Base Cabinets: Bi-Fold Door, 1 Lazy Susans with Drawer in Upper Position

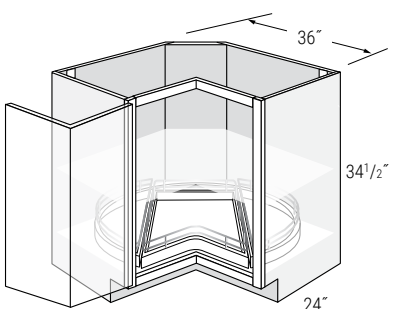


	E	F	G	H	J	K	L	M	N	O	P
LS36DR-TOP	1981	1981	2023	2023	2182	2182	2205	2227	2227	2273	2273

- Available left or right hinged
- Assembly and installation add \$39 net
- Blum upgrade not available

- Available Modifications:
- N/A

Square Corner Base Cabinets: Bi-Fold Door, 1 Lazy Susans with Drawer in Lower Position



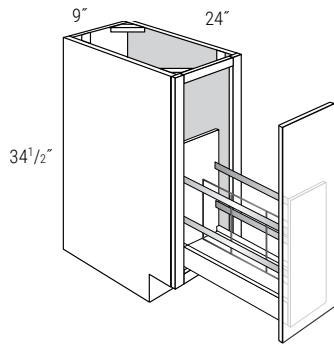
	E	F	G	H	J	K	L	M	N	O	P
LS36DR-BOTTOM	1981	1981	2023	2023	2182	2182	2205	2227	2227	2273	2273

- Available left or right hinged
- Assembly and installation add \$39 net
- Blum upgrade not available

- Available Modifications:
- N/A

Base Cabinets

Base Cabinets with Tray Divider Pullout: 1 Door

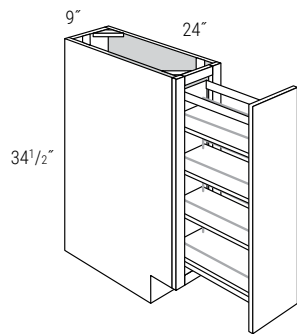


	E	F	G	H	J	K	L	M	N	O	P
BF09TRAYDIVPO	969	969	981	981	1099	1099	1075	1113	1113	1130	1130

- Assembly and installation add \$48 net
- Blum upgrade not available

- Available Modifications:
- N/A

Base Cabinets with Organizer Pullout: 1 Door



	E	F	G	H	J	K	L	M	N	O	P
BF09PO	653	653	665	665	783	783	759	797	797	814	814

- Assembly and installation add \$48 net
- Blum upgrade not available

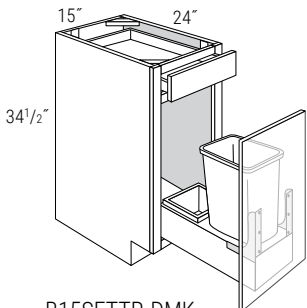
- Available Modifications:
- N/A

Base Cabinets with Trash Pullout: 1 Door, 1 Drawer

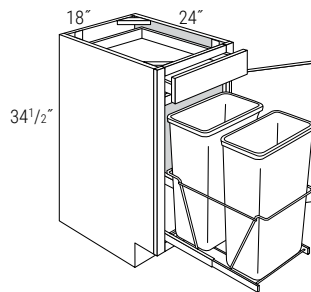
- Assembly and installation – Trash unit only, add \$42 net
- Assembly and installation – Trash unit + Door Mount Kit, add \$53 net

- Available Modifications:
- N/A

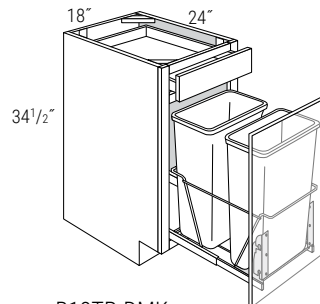
	E	F	G	H	J	K	L	M	N	O	P
B15SFTTR-DMK	1232	1259	1251	1278	1348	1392	1360	1370	1414	1394	1437
B18TR	788	818	810	840	909	953	920	931	976	957	1001
B18TR-DMK	866	896	888	918	987	1031	998	1009	1054	1035	1079
B18SFTTR-DMK	1297	1327	1319	1349	1418	1462	1429	1440	1485	1466	1510



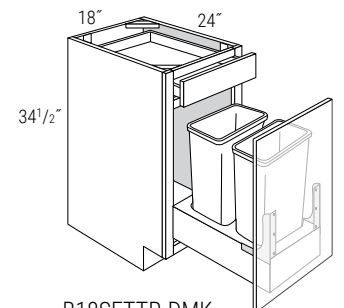
B15SFTTR-DMK
with Soft Close, One 35-qt bin



B18TR
Two 35-qt bins



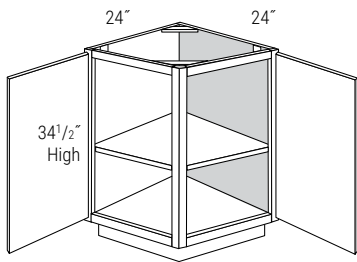
B18TR-DMK
Two 35-qt bins



B18SFTTR-DMK
with Soft Close, Two 35-qt bins

Base Cabinets

Angled Base End Cabinets: 2 Doors

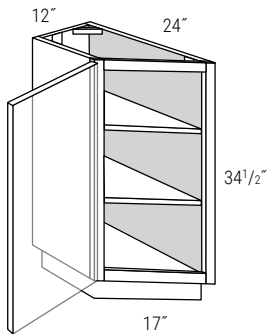


	E	F	G	H	J	K	L	M	N	O	P
AB24	698	698	733	733	853	853	872	889	889	929	929

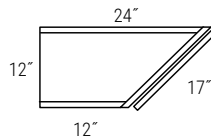
- Assembled, add \$20 net
- Upgrade to Blum hinges for \$12 net

- Available Modifications:
- N/A

Transition Base Cabinet: 1 Door



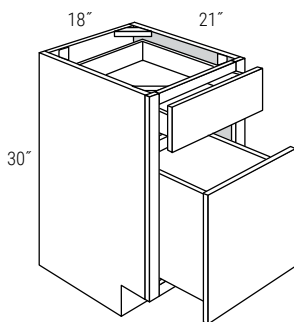
	E	F	G	H	J	K	L	M	N	O	P
TB12	X	X	X	X	517	517	482	536	536	558	558



- Two full-depth adjustable shelves
- Door hinges on short side
- Specify left or right hinge, left shown
- Assembled, add \$20 net
- Upgrade to Blum hinges for \$6 net

- Available Modifications:
- N/A

Office Cabinet: 30" h, 2 Drawers

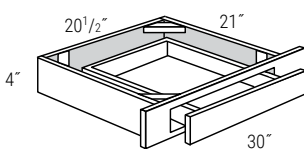


	E	F	G	H	J	K	L	M	N	O	P
BFD1821	X	X	X	X	870	870	842	905	905	942	942

- Bottom drawer accepts file folders
- Assembled, add \$20 net
- Upgrade to Blum glides for \$54 net
- Both drawer fronts are 5-pc for all lines

- Available Modifications:
- N/A

Office Cabinet: 4" h Drawer Unit



	E	F	G	H	J	K	L	M	N	O	P
DU3021	X	X	X	X	233	233	238	254	254	254	254

- Pre-assembled
- Trimmable to 24" wide
- Slab drawer front only
- Upgrade to Blum glides for \$27 net

- Available Modifications:
- N/A

Tall Cabinets

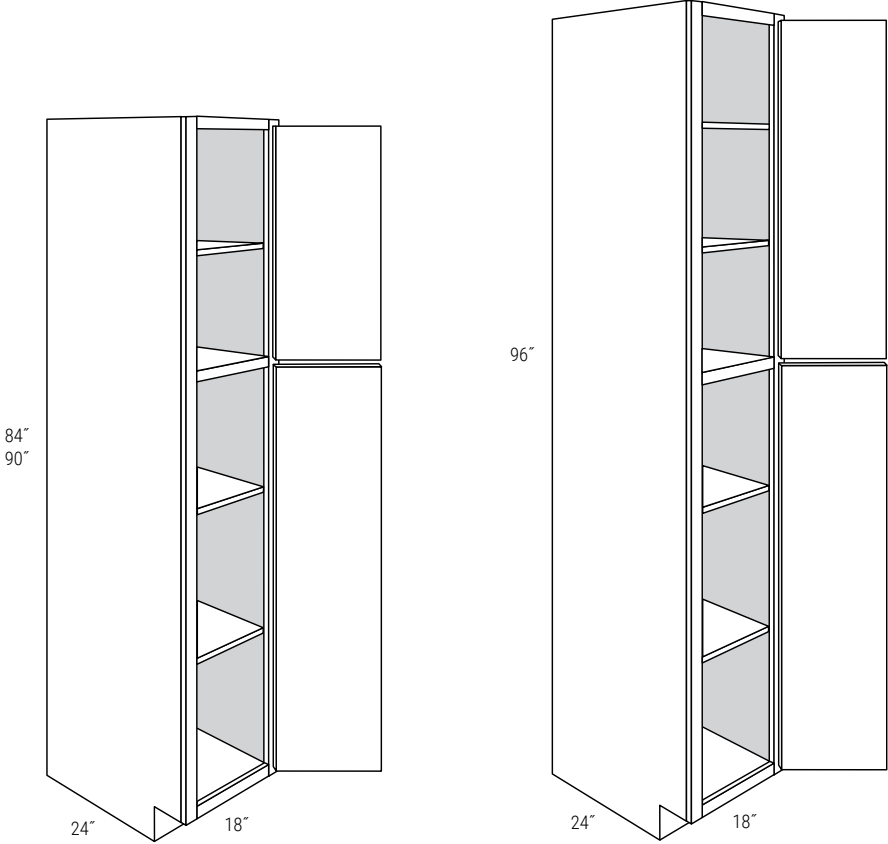
Tall Pantry Cabinets: 18" w, 24" d, 2 Doors

- Assembled, add \$28 net
- Upgrade WP1884 and WP1890 to Blum hinges for \$15 net
- Upgrade WP1896 to Blum hinges for \$18 net

	E	F	G	H	J	K	L	M	N	O	P
WP1884	844	844	887	887	1128	1128	1153	1175	1175	1228	1228
WP1890	899	899	945	945	1229	1229	1255	1280	1280	1335	1335
WP1896	1005	1005	1055	1055	1291	1291	1320	1347	1347	1405	1405

Available Modifications:

- CUT-TALL



Tall Cabinets

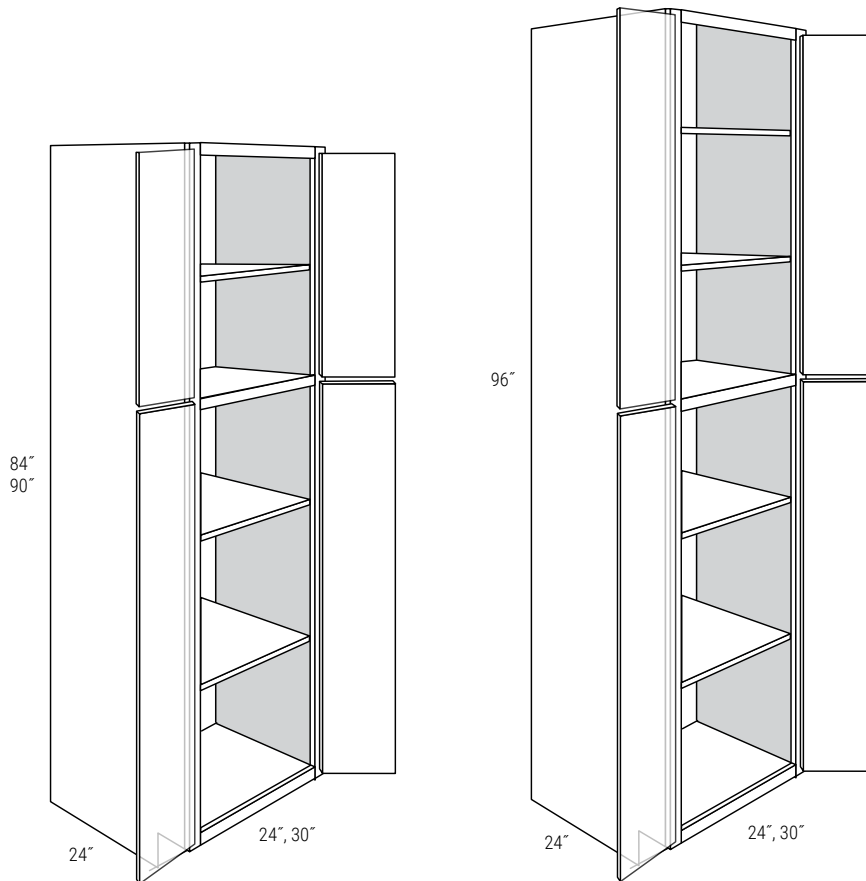
Tall Pantry Cabinets: 24" w and 30" w, 24" d, 4 Doors

- B = Butt doors
- Assembled, add \$28 net
- Upgrade WP2484 and WP3090 to Blum hinges for \$30 net
- Upgrade WP2490 and WP3090 to Blum hinges for \$30 net
- Upgrade WP2496 and WP3096 to Blum hinges for \$36 net

Available Modifications:

- CUT-TALL

	E	F	G	H	J	K	L	M	N	O	P
WP2484B	1044	1044	1097	1097	1291	1291	1320	1347	1347	1405	1405
WP2490B	1116	1116	1172	1172	1450	1450	1481	1516	1516	1577	1577
WP2496B	1247	1247	1308	1308	1543	1543	1578	1615	1615	1679	1679
WP3084B	1355	1355	1426	1426	1512	1512	1546	1577	1577	1644	1644
WP3090B	1454	1454	1527	1527	1796	1796	1836	1884	1884	1955	1955
WP3096B	1554	1554	1630	1630	2008	2008	2051	2109	2109	2182	2182



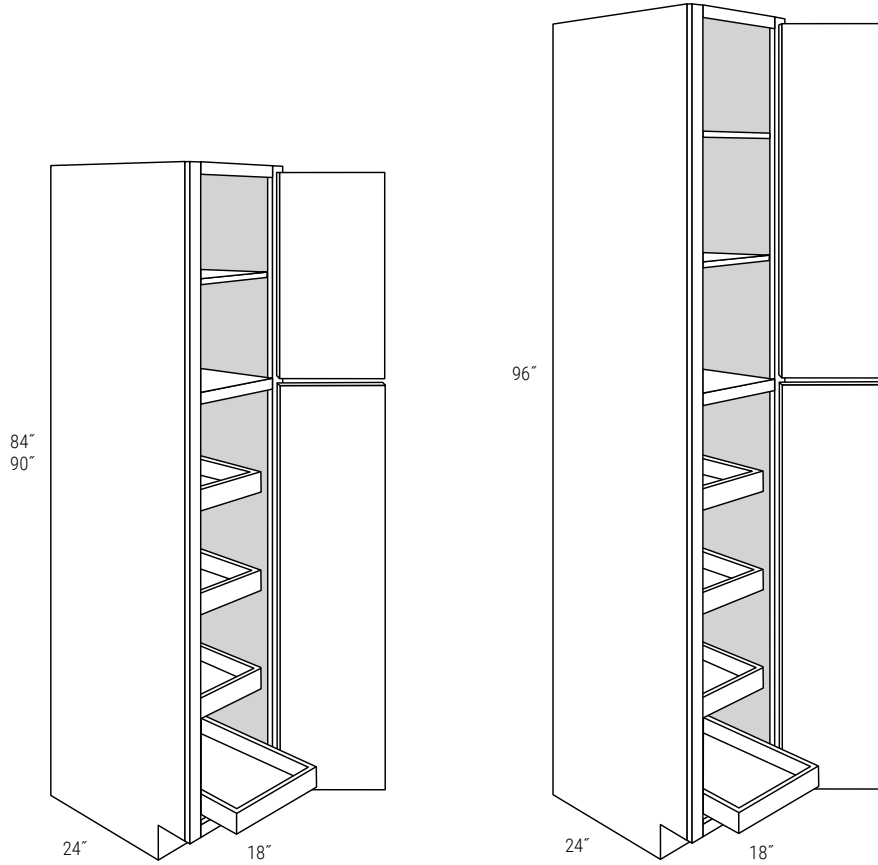
Tall Cabinets

Tall Pantry Cabinets with Soft-Close Rollouts: 18" w, 24" d, 2 Doors, 4 Rollouts

- Assembly and installation add \$72 net
- Upgrade WP1884SCRT and WP1890SCRT to Blum hinges and glides for \$123 net
- Upgrade WP1896SCRT to Blum hinges for \$126 net

	E	F	G	H	J	K	L	M	N	O	P
WP1884SCRT	1256	1256	1299	1299	1540	1540	1565	1587	1587	1640	1640
WP1890SCRT	1311	1311	1357	1357	1641	1641	1667	1692	1692	1747	1747
WP1896SCRT	1417	1417	1467	1467	1703	1703	1732	1759	1759	1817	1817

- Available Modifications:
- CUT-TALL



Tall Cabinets

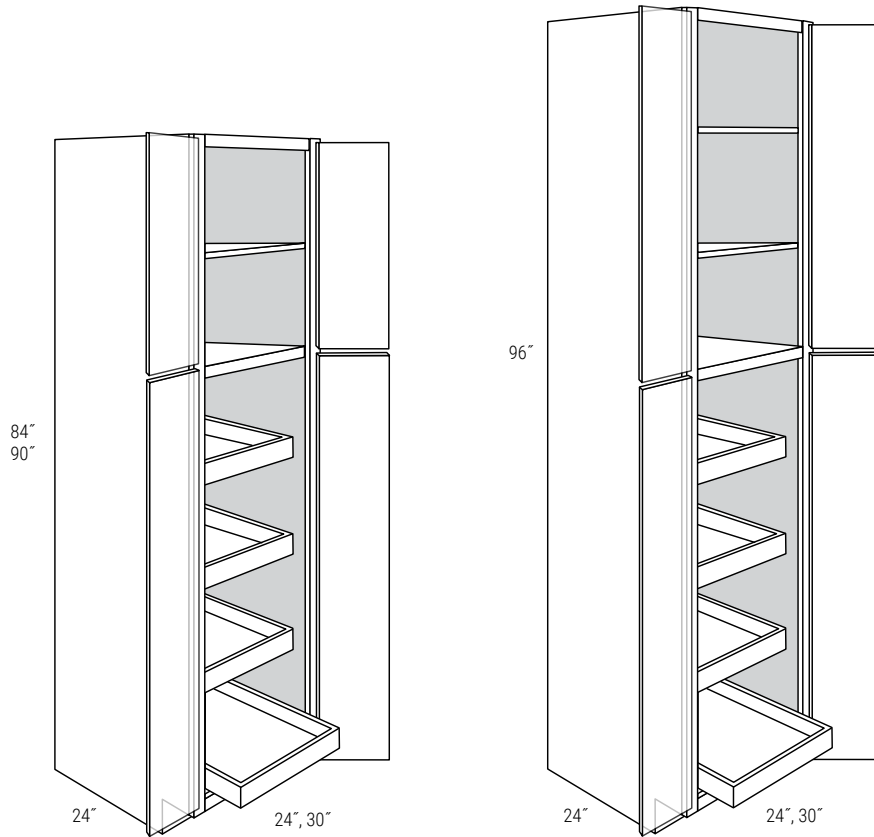
Tall Pantry Cabinets with Soft-Close Rollouts: 24" w and 30" w, 24" d, 4 Doors, 4 Rollouts

- B = Butt doors
- Assembly and installation add \$72 net
- Upgrade WP2484BSCRT and WP3084BSCRT to Blum hinges and glides for \$138 net
- Upgrade WP2490BSCRT and WP3090BSCRT to Blum hinges and glides for \$138 net
- Upgrade WP2496BSCRT and WP3096BSCRT to Blum hinges and glides for \$144 net

Available Modifications:

- CUT-TALL

	E	F	G	H	J	K	L	M	N	O	P
WP2484BSCRT	1524	1524	1577	1577	1771	1771	1800	1827	1827	1885	1885
WP2490BSCRT	1596	1596	1652	1652	1930	1930	1961	1996	1996	2057	2057
WP2496BSCRT	1727	1727	1788	1788	2023	2023	2058	2095	2095	2159	2159
WP3084BSCRT	1903	1903	1973	1973	2060	2060	2094	2125	2125	2192	2192
WP3090BSCRT	2002	2002	2075	2075	2344	2344	2384	2432	2432	2503	2503
WP3096BSCRT	2102	2102	2178	2178	2556	2556	2599	2657	2657	2730	2730



Tall Cabinets

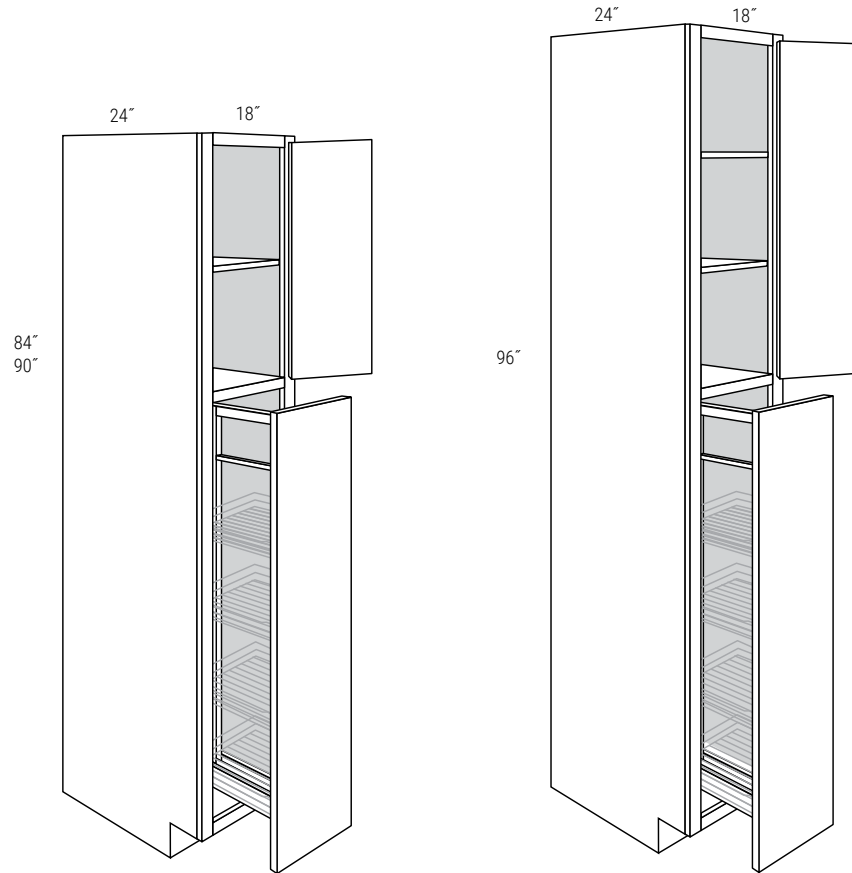
Tall Pantry Cabinets with Pull Out: 18" w, 24" d, 2 Doors, 1 Pull Out Unit

- Assembly and installation add \$140 net
- Upgrade WP1884PO and WP1890PO to Blum hinges for \$6 net
- Upgrade WP1896PO to Blum hinges for \$9 net

	E	F	G	H	J	K	L	M	N	O	P
WP1884PO	X	X	X	X	4103	4103	4128	4150	4150	4203	4203
WP1890PO	X	X	X	X	4204	4204	4230	4255	4255	4310	4310
WP1896PO	X	X	X	X	4266	4266	4295	4322	4322	4380	4380

Available Modifications:

- N/A



Tall Cabinets

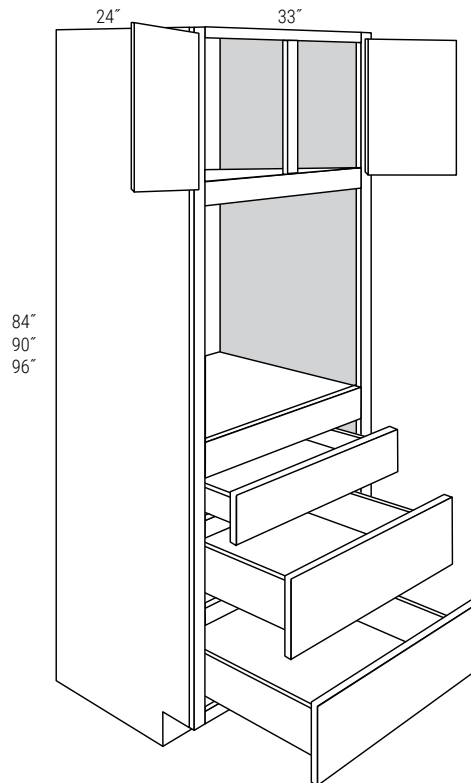
Tall Oven Cabinets: 33" w, 24" d, 2 Doors, 3 Drawers

- No adjustable shelf
- Assembled, add \$28 net
- Upgrade to Blum hinges and glides for \$93 net

	E	F	G	H	J	K	L	M	N	O	P
OC3384	1620	1702	1703	1785	2010	2054	2060	2095	2138	2185	2229
OC3390	1880	1962	1975	2057	2325	2369	2376	2423	2468	2528	2572
OC3396	2181	2263	2291	2373	2698	2742	2756	2812	2856	2933	2976

Available Modifications:

- CUT-TALL
- COC-MOD
- DOC-MOD



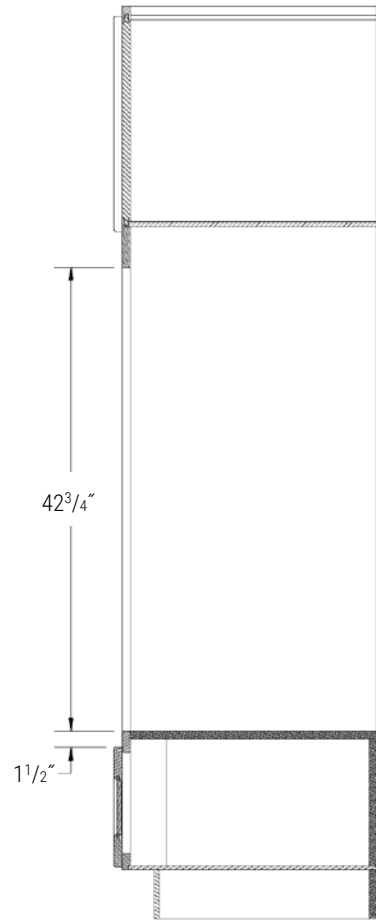
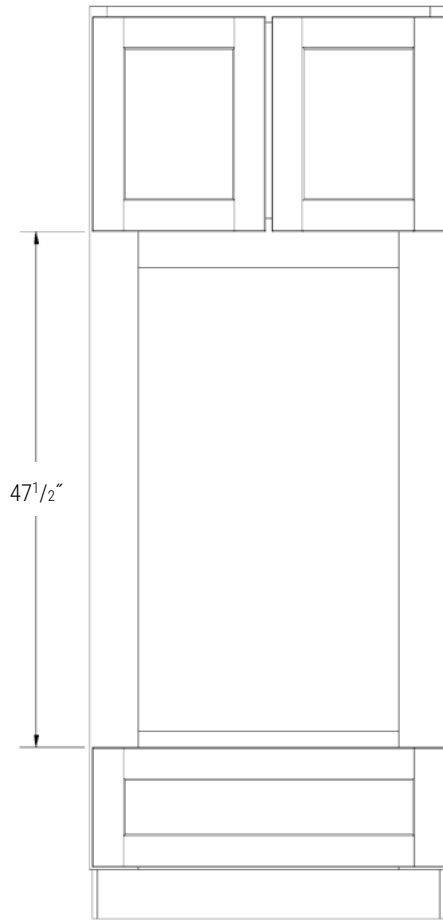
Tall Oven Cabinets **Modifications**

Tall Oven Cabinets: 33" w, 24" d, 2 Doors, 3 Drawers

- Modified cabinet available assembled only
- Add \$143 net for Assembly and Modification
- No adjustable shelf
- Modification may add one week to lead times
- Upgrade to Blum hinges and glides for \$39 net
- 3/4" adjustable bottom is included
- Top 2 drawers are removed
- 24" x 42 3/4" rough opening; trim on-site to fit oven unit
- 30" x 46" MAX cutout (up to 47" overall oven unit size)

	E	F	G	H	J	K	L	M	N	O	P
COC3384	1620	1702	1703	1785	2010	2054	2060	2095	2138	2185	2229
COC3390	1880	1962	1975	2057	2325	2369	2376	2423	2468	2528	2572
COC3396	2181	2263	2291	2373	2698	2742	2756	2812	2856	2933	2976
COCMOD	Convert to Assembled Double Oven Cabinet								\$143 net price		

Available Modifications:
• N/A



Tall Oven Cabinets **Modifications**

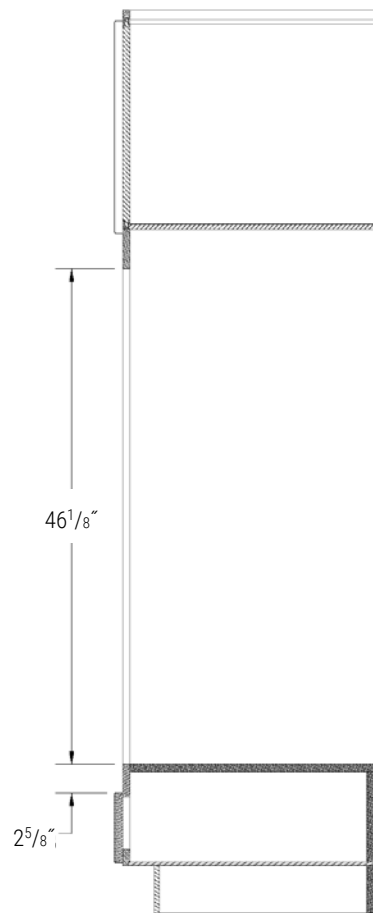
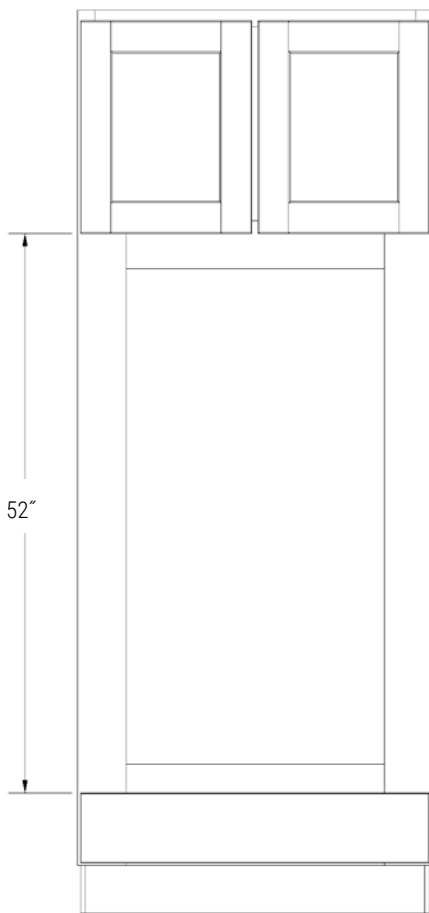
Tall Oven Cabinets: 33" w, 24" d, 2 Doors, 3 Drawers

- Modified cabinet available assembled only
- Add \$143 net for Assembly and Modification
- No adjustable shelf
- Modification may add one week to lead times
- Upgrade to Blum hinges and glides for \$39 net
- 3/4" adjustable bottom is included
- Two large drawers are removed
- 24" x 46 1/8" rough opening; trim on-site to fit oven unit
- 30" x 50 1/2" MAX cutout (up to 51 1/2" overall oven unit size)

	E	F	G	H	J	K	L	M	N	O	P
DOC3384	1620	1702	1703	1785	2010	2054	2060	2095	2138	2185	2229
DOC3390	1880	1962	1975	2057	2325	2369	2376	2423	2468	2528	2572
DOC3396	2181	2263	2291	2373	2698	2742	2756	2812	2856	2933	2976

DOCMOD Convert to Assembled Combination Oven Cabinet \$143 net price

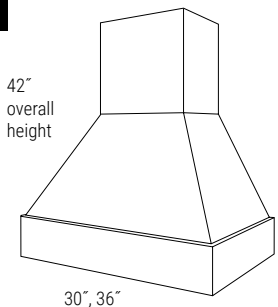
Available Modifications:
• N/A



Accessories

T Hood

New!



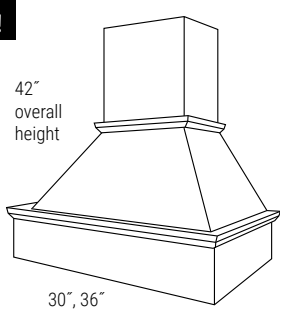
	E	F	G	H	J	K	L	M	N	O	P
T3042	3274	3274	3274	3274	3274	3274	3274	3274	3274	3274	3274
T3642	3379	3379	3379	3379	3379	3379	3379	3379	3379	3379	3379

- **AVAILABLE 10/1/21**
- Extended lead time
- Field trim to desired height
- VLB30 and SLB30 fit 30" width
- VLB36 and SLB36 fit 36" width

Available Modifications:
• N/A

VCHIM Hood

New!



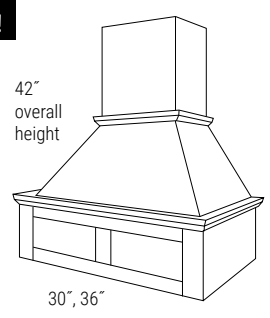
	E	F	G	H	J	K	L	M	N	O	P
VCHIM3042	2808	2808	2808	2808	2808	2808	2808	2808	2808	2808	2808
VCHIM3642	3001	3001	3001	3001	3001	3001	3001	3001	3001	3001	3001

- **AVAILABLE 10/1/21**
- Extended lead time
- Field trim to desired height
- VLB30 and SLB30 fit 30" width
- VLB36 and SLB36 fit 36" width
- Moldings extend beyond 30" and 36" widths by 2 1/4"; will not fit in a 30" wide space

Available Modifications:
• N/A

VRS Hood

New!



	E	F	G	H	J	K	L	M	N	O	P
VRS3042	2945	2945	2945	2945	2945	2945	2945	2945	2945	2945	2945
VRS3642	3098	3098	3098	3098	3098	3098	3098	3098	3098	3098	3098

- **AVAILABLE 10/1/21**
- Extended lead time
- Field trim to desired height
- VLB30 and SLB30 fit 30" width
- VLB36 and SLB36 fit 36" width
- Moldings extend beyond 30" and 36" widths by 2 1/4"; will not fit in a 30" wide space

Available Modifications:
• N/A

Accessories

V Liner with Blower

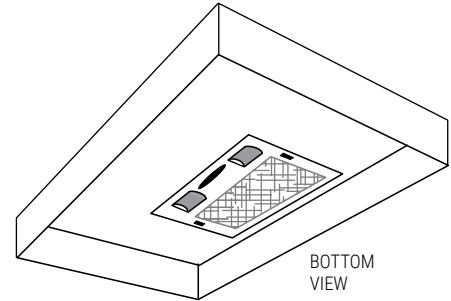
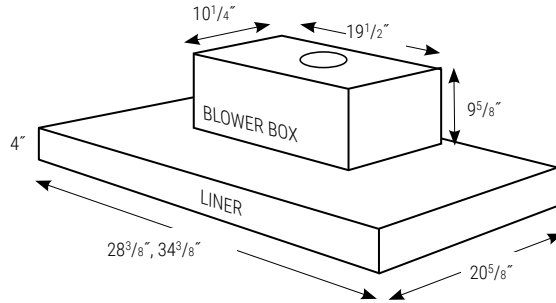
New!

- AVAILABLE 10/1/21
- Motor Box 1" off back
- 6" round duct 53/8" from wall, centered
- 390 CFM

Available Modifications:

- N/A

	E	F	G	H	J	K	L	M	N	O	P
VLB30	1602	1602	1602	1602	1602	1602	1602	1602	1602	1602	1602
VLB36	1653	1653	1653	1653	1653	1653	1653	1653	1653	1653	1653



S Liner with Blower

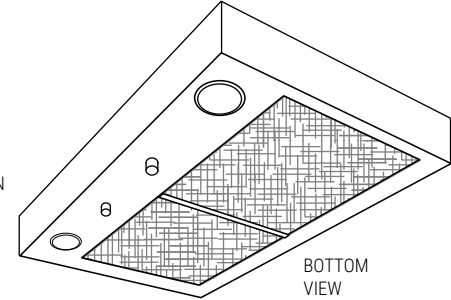
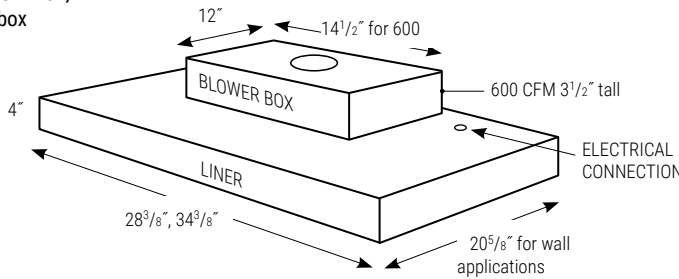
New!

- AVAILABLE 10/1/21
- For SLB48, extend lead time +7 days
- Motor Box 1" off back
- Electrical connection 7" from wall, 12" from center of motor box
- 600 CFM
- Stainless steel

Available Modifications:

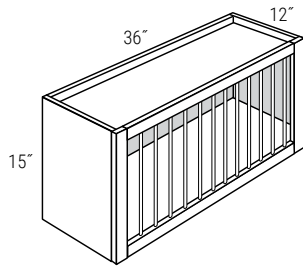
- N/A

	E	F	G	H	J	K	L	M	N	O	P
SLB30	3365	3365	3365	3365	3365	3365	3365	3365	3365	3365	3365
SLB36	3466	3466	3466	3466	3466	3466	3466	3466	3466	3466	3466



Accessories

Plate Rack

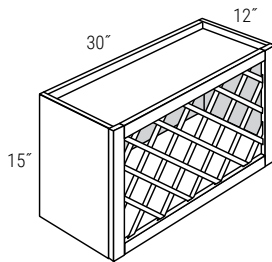


	E	F	G	H	J	K	L	M	N	O	P
W3615PL	X	X	X	X	448	448	457	467	467	467	467

- Pre-assembled
- Matching interior
- 13 slots

Available Modifications:
• N/A

Wine Rack

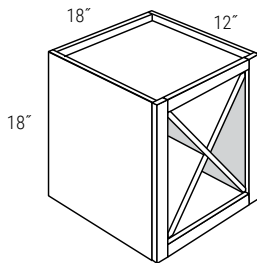


	E	F	G	H	J	K	L	M	N	O	P
WR3015	X	X	X	X	473	473	482	493	493	493	493

- Pre-assembled
- Matching interior

Available Modifications:
• N/A

X Cube Wine Rack

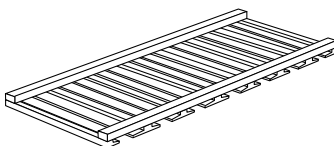


	E	F	G	H	J	K	L	M	N	O	P
WR1818	479	479	479	479	548	548	560	572	572	572	572

- Pre-assembled
- Matching interior

Available Modifications:
• N/A

Glass Holder



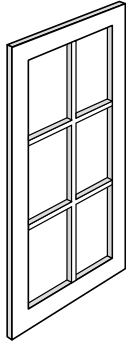
	E	F	G	H	J	K	L	M	N	O	P
WR30GH	X	X	X	X	146	146	150	152	152	152	152

- Pre-assembled

Available Modifications:
• N/A

Accessories

Glass Doors



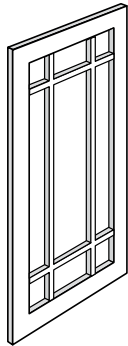
Glass Doors: GD
All styles except Norwich, Dover and Essex have mullions

- Glass included
- Price is per door; for butt-door cabinets, order 2 doors
- 24" Diagonal fits 27"

Available Modifications:
• N/A

	E	F	G	H	J	K	L	M	N	O	P
For Single-Door Cabinets											
W1530GD	X	X	X	X	146	146	150	160	160	160	160
W1830GD	X	X	X	X	161	161	166	175	175	175	175
W1536GD	X	X	X	X	168	168	172	182	182	182	182
W1836GD	X	X	X	X	193	193	197	209	209	209	209
W1542GD	X	X	X	X	182	182	186	199	199	199	199
W1842GD	X	X	X	X	220	220	224	238	238	238	238
For Double-Door Cabinets: Order 2 Doors											
W3030BGD	X	X	X	X	150	150	154	164	164	164	164
W3036BGD	X	X	X	X	173	173	176	190	190	190	190
W3042BGD	X	X	X	X	187	187	192	204	204	204	204
For Diagonal Cabinets											
WDC2430GD	X	X	X	X	182	182	186	199	199	199	199
WDC2436GD	X	X	X	X	220	220	224	238	238	238	238
WDC2442GD	X	X	X	X	248	248	253	270	270	270	270

Prairie-Style Glass Doors



Prairie Style Glass Doors: PGD
All styles have mullions

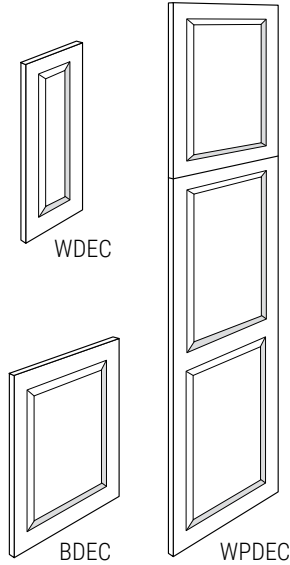
- Glass included
- Price is per door; for butt-door cabinets, order 2 doors
- 24" Diagonal fits 27"

Available Modifications:
• N/A

	E	F	G	H	J	K	L	M	N	O	P
For Single-Door Cabinets											
W1530PGD	X	X	X	X	146	146	150	160	160	160	160
W1830PGD	X	X	X	X	161	161	166	175	175	175	175
W1536PGD	X	X	X	X	168	168	172	182	182	182	182
W1836PGD	X	X	X	X	193	193	197	209	209	209	209
W1542PGD	X	X	X	X	182	182	186	199	199	199	199
W1842PGD	X	X	X	X	220	220	224	238	238	238	238
For Double-Door Cabinets: Order 2 Doors											
W3030BPGD	X	X	X	X	150	150	154	164	164	164	164
W3036BPGD	X	X	X	X	173	173	176	190	190	190	190
W3042BPGD	X	X	X	X	187	187	192	204	204	204	204
For Diagonal Cabinets											
WDC2430PGD	X	X	X	X	182	182	186	199	199	199	199
WDC2436PGD	X	X	X	X	220	220	224	238	238	238	238
WDC2442PGD	X	X	X	X	248	248	253	270	270	270	270

Accessories

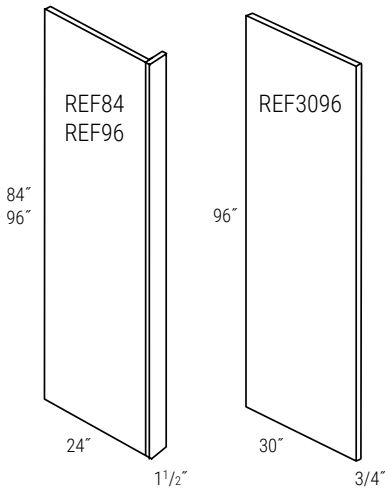
Decorative End Panels



	E	F	G	H	J	K	L	M	N	O	P
Wall											
WDEC12	X	X	X	X	89	89	91	93	93	96	96
WDEC15	X	X	X	X	107	107	109	112	112	116	116
WDEC18	X	X	X	X	126	126	128	131	131	136	136
WDEC30	144	144	151	151	144	144	148	150	150	157	157
WDEC36	179	179	187	187	179	179	182	186	186	196	196
WDEC42	205	205	216	216	202	202	206	210	210	221	221
Base											
BDEC	292	292	306	306	271	271	277	282	282	295	295
Tall											
WPDEC84	X	X	X	X	758	758	776	791	791	827	827
WPDEC90	X	X	X	X	812	812	832	847	847	884	884
WPDEC96	X	X	X	X	871	871	890	907	907	948	948

- **WDEC12, WDEC15, WDEC18**
AVAILABLE 10/1/21
- Available Modifications:
• N/A
- Decorative panels match the height of cabinet doors (for base door and drawer head)

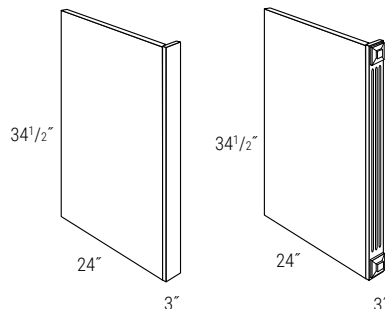
Refrigerator End Panels



	E	F	G	H	J	K	L	M	N	O	P
24" d, 1 1/2" w											
REF84	377	377	377	377	403	403	412	439	439	439	439
REF96	452	452	452	452	503	503	514	550	550	550	550
30" d, 3/4" w											
REF3096	557	557	557	557	487	487	499	535	535	535	535

- REF3096 is 3/4" plywood panel edgebanded both long edges
- REF84 and REF96 are 1/2" plywood panel with 1 1/2" solid wood stile on the front edge
- Matching exterior on both sides
- Available Modifications:
• CUT-PANEL

Dishwasher End Panel

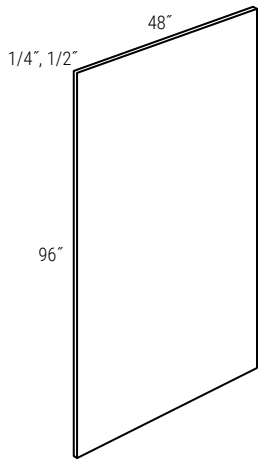


	E	F	G	H	J	K	L	M	N	O	P
DWR3	127	127	127	127	139	139	142	145	145	145	145
DWR3F	X	X	X	X	151	151	155	157	157	157	157

- F = fluted
- 3" filler
- Available Modifications:
• N/A

Accessories

Plywood Panels



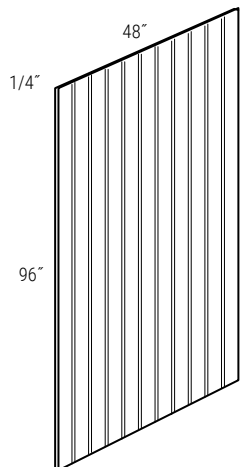
	E	F	G	H	J	K	L	M	N	O	P
PQTR	301	301	301	301	329	329	336	344	344	344	344
PHLF	534	534	534	534	583	583	596	610	610	610	610

- PNL1/4x4x8 comes finished one side
- PNL1/2x4x8 comes finished both sides to match the cabinet exterior/interior finish

Available Modifications:

- CUT-PANEL

Beadboard Panels

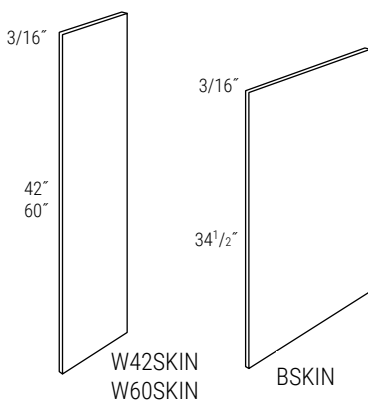


	E	F	G	H	J	K	L	M	N	O	P
BBPQTR	X	X	X	X	329	329	336	344	344	344	344

Available Modifications:

- CUT-PANEL

Skins



	E	F	G	H	J	K	L	M	N	O	P
W42SKIN	82	82	82	82	82	82	82	82	82	82	82
W60SKIN	X	X	X	X	139	139	139	139	139	139	139
BSKIN	139	139	139	139	139	139	139	139	139	139	139

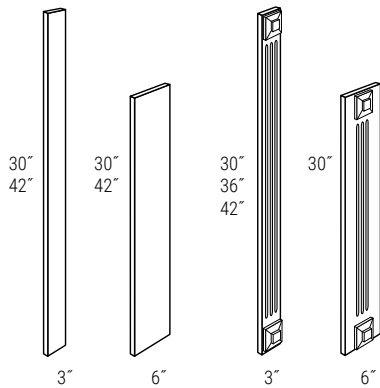
- **W60SKIN AVAILABLE 10/1/21**
- Applying Skin to cabinet will make side panel even with frame

Available Modifications:

- N/A

Accessories

Wall and Base Fillers

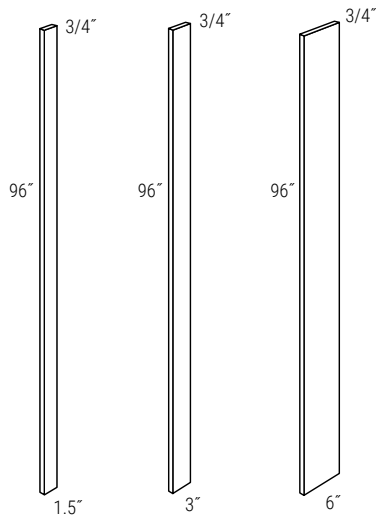


	E	F	G	H	J	K	L	M	N	O	P
WF330	40	40	40	40	43	43	44	44	44	44	44
WF630	66	66	66	66	72	72	73	74	74	74	74
WF336	50	50	50	50	X	X	X	X	X	X	X
WF636	92	92	92	92	X	X	X	X	X	X	X
WF342	53	53	53	53	59	59	60	61	61	61	61
WF642	108	108	108	108	126	126	128	132	132	132	132
WF330F	X	X	X	X	47	47	48	49	49	49	49
WF336F	X	X	X	X	60	60	61	64	64	64	64
WF630F	X	X	X	X	78	78	79	82	82	82	82
WF342F	X	X	X	X	67	67	68	70	70	70	70

- F = fluted
- Finished on 3 sides

- Available Modifications:
- N/A

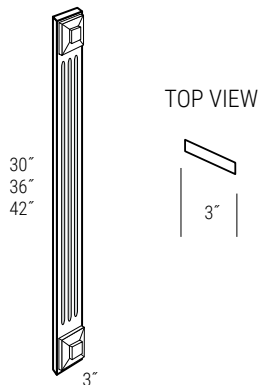
Tall Fillers



	E	F	G	H	J	K	L	M	N	O	P
TF1.596	X	X	X	X	102	102	104	107	107	110	110
TF396	114	114	114	114	120	120	122	125	125	131	131
TF696	266	266	266	266	292	292	298	304	304	304	304

- Available Modifications:
- N/A

Wall and Base Angled Fillers



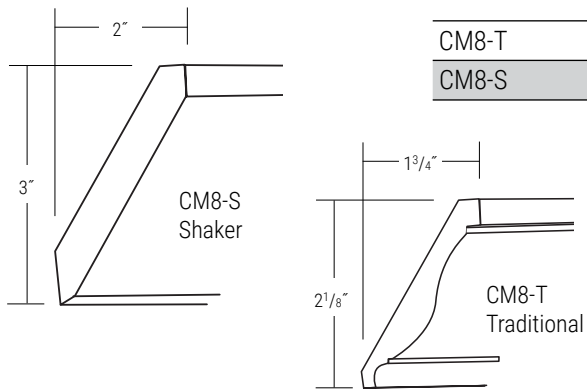
	E	F	G	H	J	K	L	M	N	O	P
AF330F	X	X	X	X	56	56	58	59	59	59	59
AF336F	X	X	X	X	70	70	71	72	72	72	72
AF342F	X	X	X	X	82	82	83	85	85	85	85

- F = fluted
- Finished on 3 sides

- Available Modifications:
- N/A

Accessories

Crown Molding



	E	F	G	H	J	K	L	M	N	O	P
CM8-T	114	114	114	114	125	125	127	130	130	130	130
CM8-S	114	114	114	114	125	125	127	130	130	X	X

- 8' long
- Solid wood
- CM8-T not available in Norwich
- CM8-S not available in Trenton

Available Modifications:
• CUT-MOULDING

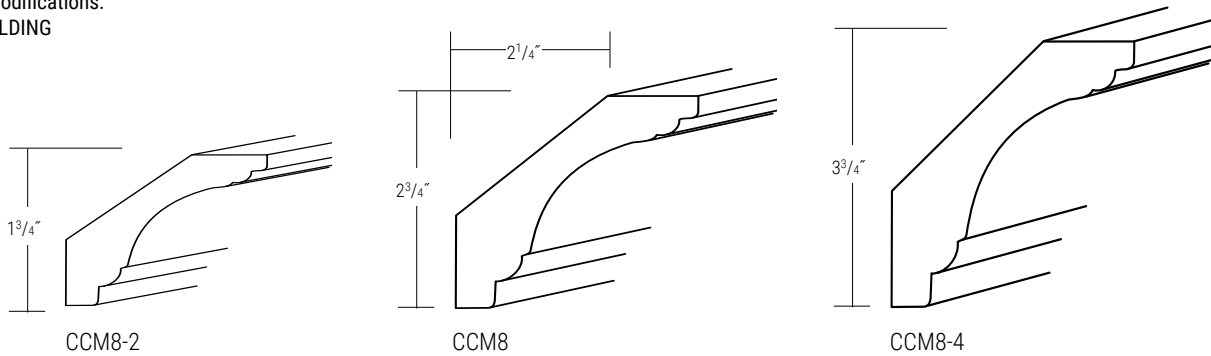
Cove Crown Molding

New!

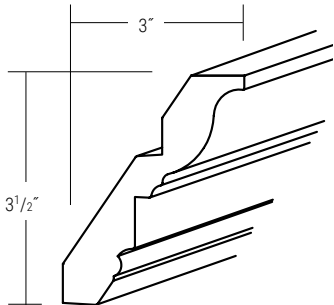
- **CCM8-2 AND CCM8-4 ARE AVAILABLE 10/1/21**
- 8' long
- Solid wood

	E	F	G	H	J	K	L	M	N	O	P
CCM8-2	141	141	141	141	143	143	148	152	152	152	152
CCM8	148	148	148	148	150	150	156	160	160	160	160
CCM8-4	163	163	163	163	165	165	170	176	176	176	176

Available Modifications:
• CUT-MOULDING



Large Crown Molding



	E	F	G	H	J	K	L	M	N	O	P
LCM8	200	200	200	200	216	216	221	226	226	226	226

- 8' long
- Solid wood
- Accepts RM8 and DM4
- Not available for Norwich

Available Modifications:
• CUT-MOULDING

Accessories

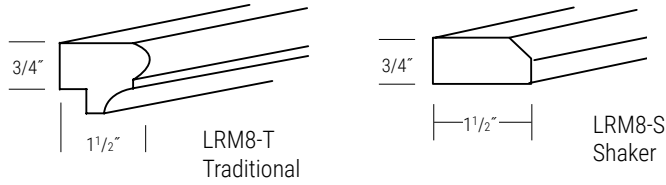
Light Rail Molding

- 8' long
- LRM8-T not available in Norwich
- LRM8-S not available in Trenton

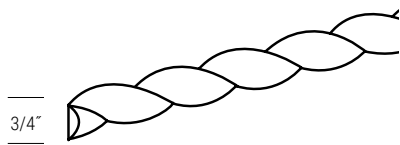
	E	F	G	H	J	K	L	M	N	O	P
LRM8-T	174	174	174	174	182	182	186	191	191	191	191
LRM8-S	174	174	174	174	182	182	186	191	191	X	X

Available Modifications:

- CUT-MOULDING



Rope Molding



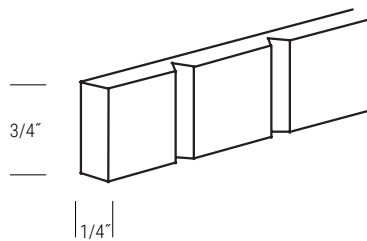
	E	F	G	H	J	K	L	M	N	O	P
RM8	76	76	76	76	83	83	84	86	86	86	86

- 8' long
- Not available in Dover/Essex
Norwich, Castle, and Lunar

Available Modifications:

- CUT-MOULDING

Dentil Molding



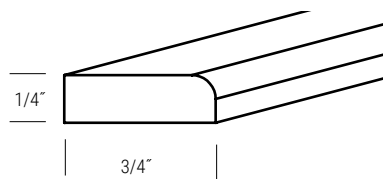
	E	F	G	H	J	K	L	M	N	O	P
DM4	26	26	26	26	30	30	31	32	32	32	32

- 4' long
- Not available in Dover/Essex
Norwich, Castle, and Lunar

Available Modifications:

- CUT-MOULDING

Scribe Molding



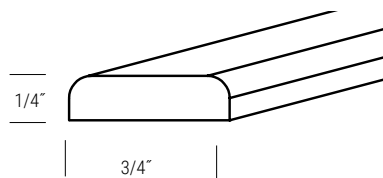
	E	F	G	H	J	K	L	M	N	O	P
SM8	25	25	25	25	29	29	30	32	32	32	32

- 8' long

Available Modifications:

- CUT-MOULDING

Batten Molding



	E	F	G	H	J	K	L	M	N	O	P
BTM8	31	31	31	31	30	30	32	35	35	35	35

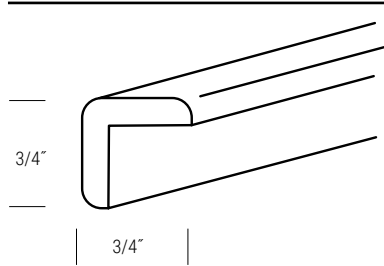
- 8' long

Available Modifications:

- CUT-MOULDING

Accessories

Outside Corner Molding

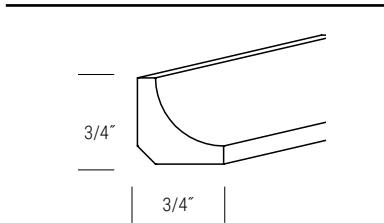


	E	F	G	H	J	K	L	M	N	O	P
OM8	67	67	67	67	78	78	79	82	82	82	82

• 8' long

Available Modifications:
• CUT-MOULDING

Inside Corner Molding

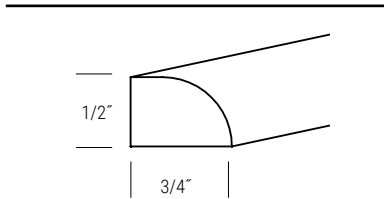


	E	F	G	H	J	K	L	M	N	O	P
ICM8	70	70	70	70	70	70	71	72	72	72	72

• 8' long

Available Modifications:
• CUT-MOULDING

Shoe Molding

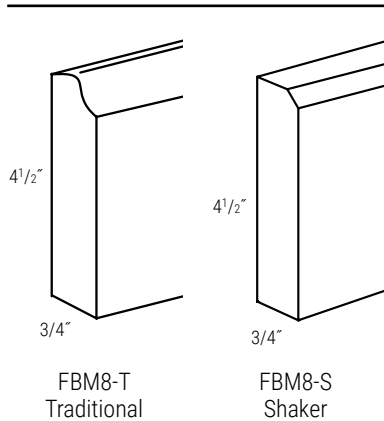


	E	F	G	H	J	K	L	M	N	O	P
SHM8	40	40	40	40	36	36	38	38	38	38	38

• 8' long

Available Modifications:
• CUT-MOULDING

Base Molding



	E	F	G	H	J	K	L	M	N	O	P
FBM8-T	215	215	215	215	202	202	206	210	210	210	210
FBM8-S	215	215	215	215	202	202	206	210	210	X	X

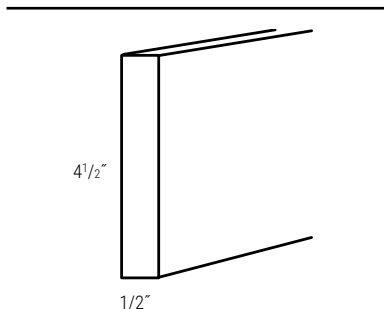
• 8' long

Available Modifications:
• CUT-MOULDING

FBM8-T Traditional

FBM8-S Shaker

Finished Toe Kick



	E	F	G	H	J	K	L	M	N	O	P
TK8	44	44	44	44	55	55	56	58	58	58	58

• 8' long

• Edgebanded and finished on face and ends

Available Modifications:
• CUT-MOULDING

Accessories

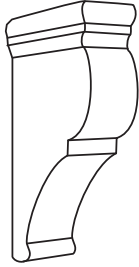
Valance



	E	F	G	H	J	K	L	M	N	O	P
VAL36	67	67	67	67	74	74	76	78	78	78	78
VAL48	91	91	91	91	100	100	102	103	103	103	103

Available Modifications:
• N/A

Corbels



	E	F	G	H	J	K	L	M	N	O	P
CB	107	107	107	107	118	118	120	122	122	122	122

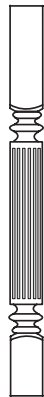
• 10 3/4" x 6 3/8" x 3"

Available Modifications:
• N/A

Turnposts



TRADITIONAL
TP3



CONTEMPORARY
CTP3

	E	F	G	H	J	K	L	M	N	O	P
TP3	X	X	X	X	326	326	334	341	341	341	341
CTP3	X	X	X	X	413	413	422	431	431	431	431

• 3" x 3" x 34 1/2"

Available Modifications:
• SPLIT-IN-TWO

Square Post



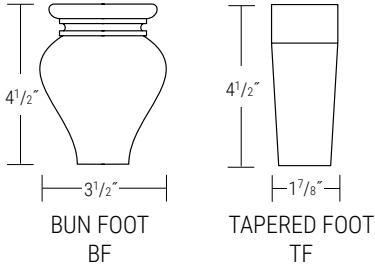
	E	F	G	H	J	K	L	M	N	O	P
SP3	X	X	X	X	316	316	322	328	328	328	328

• 3" x 3" x 34 1/2"

Available Modifications:
• SPLIT-IN-TWO

Accessories

Decorative Feet

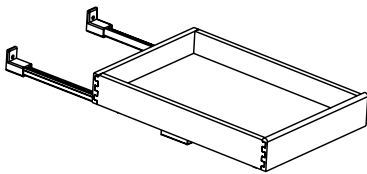


	E	F	G	H	J	K	L	M	N	O	P
BF	X	X	X	X	50	50	52	53	53	53	53
TF	X	X	X	X	22	22	22	23	23	23	23

- Attaches to toe kick
- Bun Foot is split
- Price is for one

Available Modifications:
• N/A

Rollout Trays with Soft Close



	E	F	G	H	J	K	L	M	N	O	P
SCRT15	95	95	95	95	95	95	95	95	95	95	95
SCRT18	103	103	103	103	103	103	103	103	103	103	103
SCRT21	112	112	112	112	112	112	112	112	112	112	112
SCRT24	120	120	120	120	120	120	120	120	120	120	120
SCRT27	128	128	128	128	128	128	128	128	128	128	128
SCRT30	137	137	137	137	137	137	137	137	137	137	137

- Installed, add \$11 net each
- Glides are undermount, full-extension, soft-closing
- Upgrade to Blum glides for \$27 net

Available Modifications:
• N/A

Tilt-Out Tray

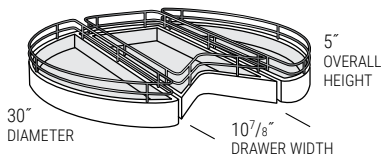
- SB30TILT price is for one 25" Tilt-out Tray
- SB33TILT price is for one 11 1/4" Tilt-out Tray; only one is required for DSB36 and CSF36
- SB36TILT price is for one 13" Tilt-out Tray
- Tilt-out installation, add \$22 net

	E	F	G	H	J	K	L	M	N	O	P
SB30TILT	105	105	105	105	105	105	105	105	105	105	105
SB33TILT	66	66	66	66	66	66	66	66	66	66	66
SB36TILT	72	72	72	72	72	72	72	72	72	72	72

Available Modifications:



Lazy Susan with Drawer



	E	F	G	H	J	K	L	M	N	O	P
LSDR	1143	1143	1143	1143	1143	1143	1143	1143	1143	1143	1143

- Installed, add \$11 net
- Fits LS36 cabinet
- Requires installation at time of assembly
- Specify top, bottom, or both on order

Available Modifications:
• N/A

Accessories

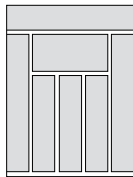
Trimable Drawer Inserts

- Installed, add \$22 net

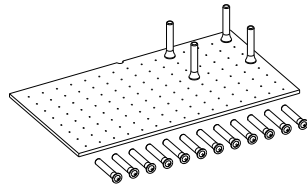
Available Modifications:

- N/A

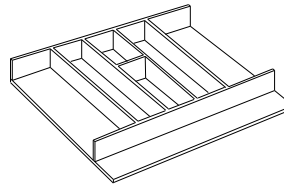
	E	F	G	H	J	K	L	M	N	O	P
CUTTRAY	125	125	125	125	125	125	125	125	125	125	125
PS39	392	392	392	392	392	392	392	392	392	392	392
UTLTRAY	197	197	197	197	197	197	197	197	197	197	197
SPICETRAY	242	242	242	242	242	242	242	242	242	242	242



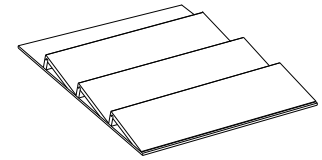
CUTTRAY
Cutlery Tray
14⁵/₈" W x 22" D



PS39
Peg Drawer System
16 Pegs included
39" W x 21¹/₄" D

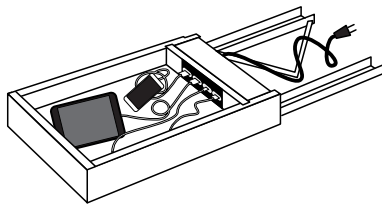


UTLTRAY
Utility Tray
24" W x 22" D



SPICETRAY
Spice Drawer Insert
16" W x 19³/₄" D

Charging Drawer



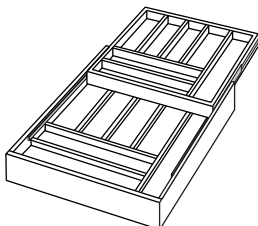
	E	F	G	H	J	K	L	M	N	O	P
CHGDR18	1414	1414	1414	1414	1414	1414	1414	1414	1414	1414	1414

- Installed, add \$22 net
- Fits B18, B36, DB18 (top drawer) and BBC42/45

Available Modifications:

- N/A

Two-Tier Cutlery Drawer



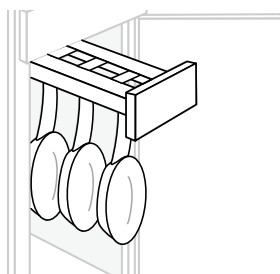
	E	F	G	H	J	K	L	M	N	O	P
TTCD18	518	518	518	518	518	518	518	518	518	518	518

- Installed, add \$22 net
- Fits B18, B36, DB18 (top drawer) and BBC42/45

Available Modifications:

- N/A

Base Glide Pull Out



	E	F	G	H	J	K	L	M	N	O	P
GLDPULL	314	314	314	314	314	314	314	314	314	314	314

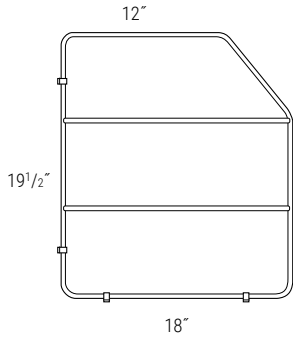
- Installed, add \$22 net
- Overall unit dimensions: 6" W x 22 3/4" D x 5 1/6" H
- Depth modification not available on accessorized cabinet

Available Modifications:

- N/A

Accessories

Wire Tray Divider



	E	F	G	H	J	K	L	M	N	O	P
TRAYDIV	26	26	26	26	26	26	26	26	26	26	26

• Installed, add \$22 net

Available Modifications:

• N/A

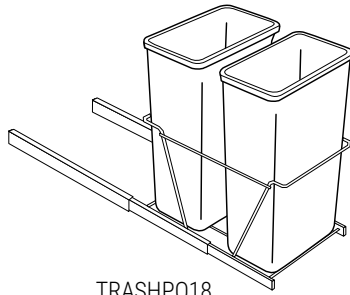
Trash Bin Pullout

- Two 35-qt bins included
- Fits 18" base or one side of a 36" base
- Door Mount Kit attaches cabinet door to the pull-out unit
- Trash (only) installation, add \$22 net
- Trash plus Door Mount Kit (DMK) installation, add \$11 net

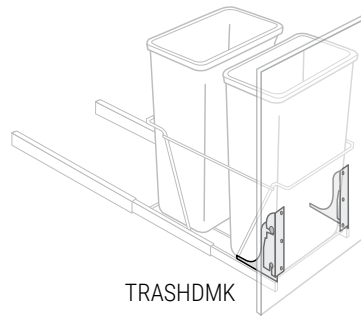
	E	F	G	H	J	K	L	M	N	O	P
Trash Pullout											
TRASHPO18	360	360	360	360	360	360	360	360	360	360	360
Door Mount Kit											
TRASHDMK	78	78	78	78	78	78	78	78	78	78	78

Available Modifications:

• N/A



TRASHPO18



TRASHDMK

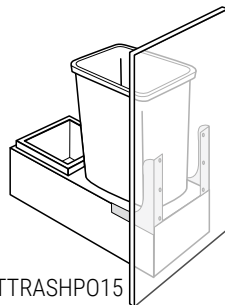
Trash Bin Pullout with Soft Close

- Installed, add \$33 net
- SFTTRASHPO15: one 35-qt bin included; fits 15" base or one side of a 30" base
- SFTTRASHPO18: two 35-qt bins included; fits 18" base or one side of a 36" base
- Door mount kit included
- door must be mounted when installed

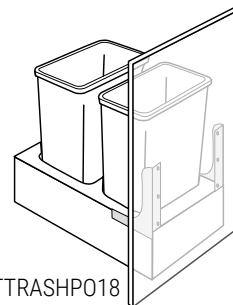
	E	F	G	H	J	K	L	M	N	O	P
SFTTRASHPO15	838	838	838	838	838	838	838	838	838	838	838
SFTTRASHPO18	869	869	869	869	869	869	869	869	869	869	869

Available Modifications:

• N/A



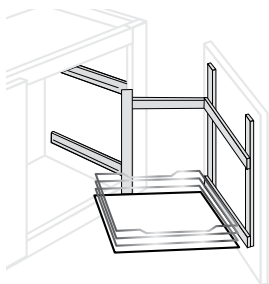
SFTTRASHPO15



SFTTRASHPO18

Accessories

Above-Appliance Pull Out Unit

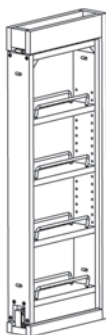


	E	F	G	H	J	K	L	M	N	O	P
APPPULL	1371	1371	1371	1371	1371	1371	1371	1371	1371	1371	1371

- Installed, add \$28 net
- Fits W361824 and W362424 cabinets
- Specify left, right, or both on order

- Available Modifications:
- N/A

Wall Filler Pullout

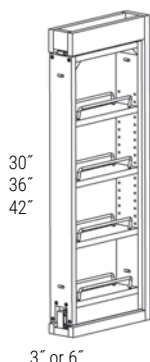


	E	F	G	H	J	K	L	M	N	O	P
WF3PULL	360	360	360	360	360	360	360	360	360	360	360

- Not available installed
- 4 shelves (3 adjustable)
- Fits 3" Wall Filler

- Available Modifications:
- N/A

Wall Filler Pullout with Soft Close



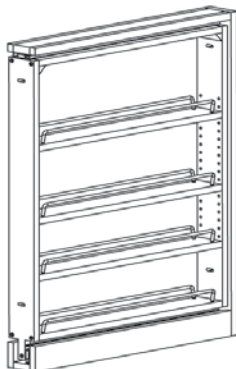
	E	F	G	H	J	K	L	M	N	O	P
WF330PULL-SFTCLOSE	508	508	508	508	508	508	508	508	508	508	508
WF336PULL-SFTCLOSE	567	567	567	567	567	567	567	567	567	567	567
WF342PULL-SFTCLOSE	595	595	595	595	595	595	595	595	595	595	595
WF630PULL-SFTCLOSE	634	634	634	634	634	634	634	634	634	634	634
WF636PULL-SFTCLOSE	681	681	681	681	681	681	681	681	681	681	681
WF642PULL-SFTCLOSE	711	711	711	711	711	711	711	711	711	711	711

- Not available installed
- 30" high has 4 shelves
- 36" high has 5 shelves
- 42" high has 6 shelves

- WF3... uses a 3" filler
- WF6... uses a 6" filler
- Filler sold separately

- Available Modifications:
- N/A

Base Filler Pull Out



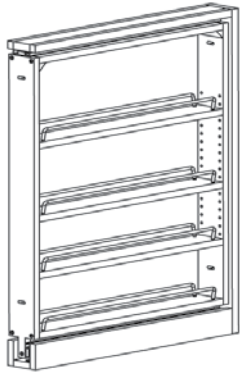
	E	F	G	H	J	K	L	M	N	O	P
BF3PULL	391	391	391	391	391	391	391	391	391	391	391

- Not available installed
- 4 shelves (3 adjustable)
- Fits 3" Base Filler

- Available Modifications:
- N/A

Accessories

Base Filler Pull Out with Soft Close



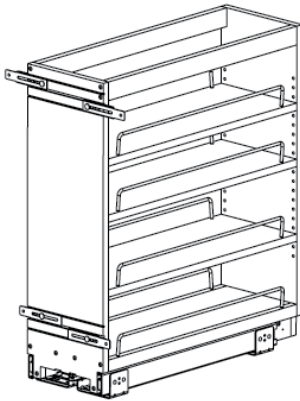
3" or 6"

	E	F	G	H	J	K	L	M	N	O	P
BF3PULL-SFTCLOSE	681	681	681	681	681	681	681	681	681	681	681
BF6PULL-SFTCLOSE	813	813	813	813	813	813	813	813	813	813	813

- Not available installed
- BF3PULL-SFTCLOSE uses a 3" filler
- BF6PULL-SFTCLOSE uses a 6" filler
- Filler sold separately

Available Modifications:
• N/A

Base Pull Out

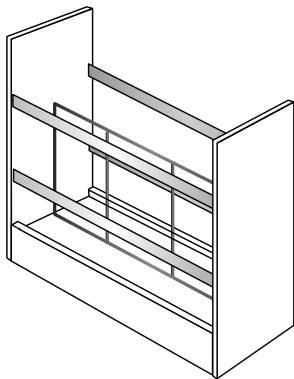


	E	F	G	H	J	K	L	M	N	O	P
BF09PULL	424	424	424	424	424	424	424	424	424	424	424

- 5" wide
- 4 shelves (3 adjustable)
- Fits a 9" Base Cabinet BF09
- Pull-out installation, add \$28 net

Available Modifications:
• N/A

Base Tray Divider Pull Out



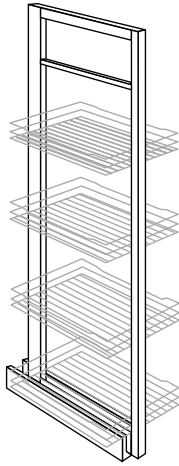
	E	F	G	H	J	K	L	M	N	O	P
TRAYDIVPO	740	740	740	740	740	740	740	740	740	740	740

- Fits a 9" Full-height Door Base Cabinet (BF09) only
- Tray Divider Pull-out installation \$28 net

Available Modifications:
• N/A

Accessories

Pantry Pull Out



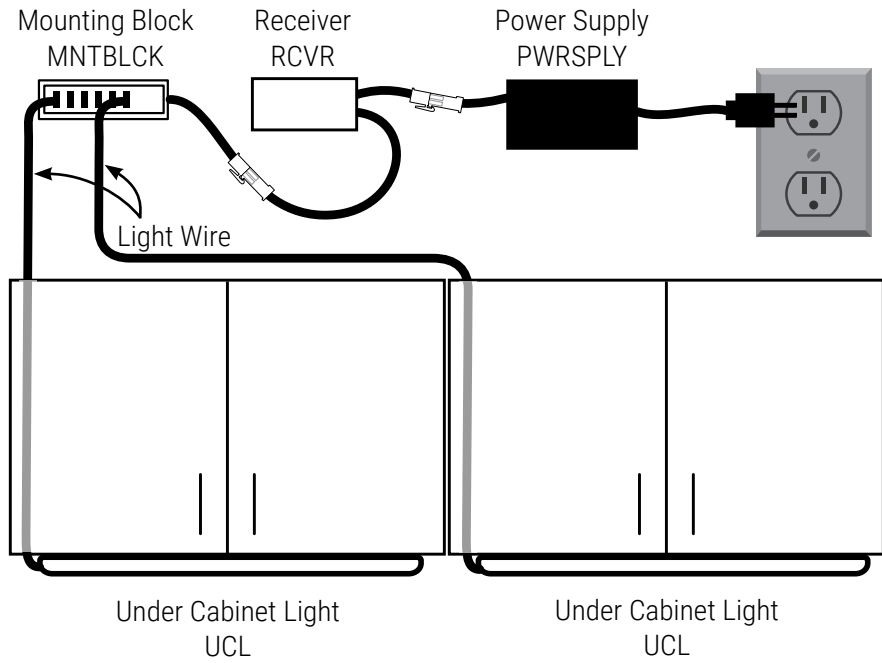
	E	F	G	H	J	K	L	M	N	O	P
WP18PULL	X	X	X	X	2975	2975	2975	2975	2975	2975	2975

- Pull-out installation, add \$112 net

Available Modifications:

- N/A

Accessories

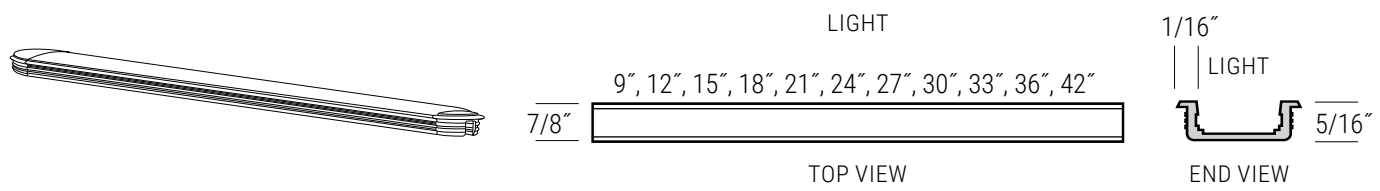


Under-Cabinet Lights

- UL Listed
- Installed, add \$15 net per light
- Installation includes light mounting, cabinet drilling, and light wire run to top

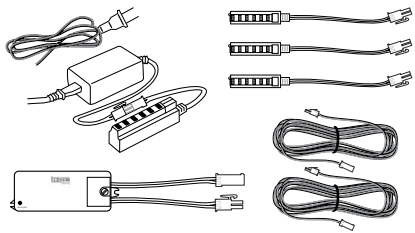
- Available Modifications:
- N/A

	E	F	G	H	J	K	L	M	N	O	P
UCL9	133	133	133	133	133	133	133	133	133	133	133
UCL12	150	150	150	150	150	150	150	150	150	150	150
UCL15	160	160	160	160	160	160	160	160	160	160	160
UCL18	174	174	174	174	174	174	174	174	174	174	174
UCL21	185	185	185	185	185	185	185	185	185	185	185
UCL24	202	202	202	202	202	202	202	202	202	202	202
UCL27	215	215	215	215	215	215	215	215	215	215	215
UCL30	229	229	229	229	229	229	229	229	229	229	229
UCL33	236	236	236	236	236	236	236	236	236	236	236
UCL36	247	247	247	247	247	247	247	247	247	247	247
UCL42	271	271	271	271	271	271	271	271	271	271	271



Accessories

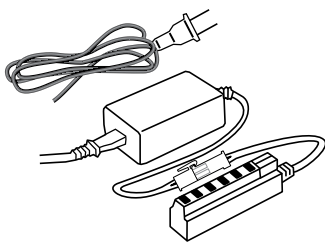
Power Kit



	E	F	G	H	J	K	L	M	N	O	P
PWRKIT	519	519	519	519	519	519	519	519	519	519	519

- Includes: 1x PWRSPPLY, 3x MNTBLCK, 2x EXTCORD, 1x RCVR
 - Powers up to 20 feet of lighting
- Available Modifications:
- N/A

Power Supply



	E	F	G	H	J	K	L	M	N	O	P
PWRSPPLY	214	214	214	214	214	214	214	214	214	214	214

- 12 volts
 - Includes 1x MNTBLCK
- Available Modifications:
- N/A

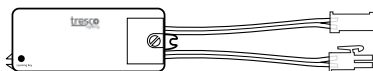
Mounting Block



	E	F	G	H	J	K	L	M	N	O	P
MNTBLCK	24	24	24	24	24	24	24	24	24	24	24

- Contains 6 ports
 - Can be combined for up to 16 ports
- Available Modifications:
- N/A

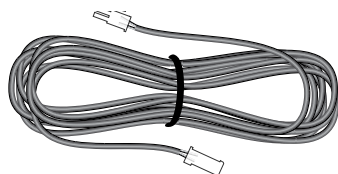
Receiver



	E	F	G	H	J	K	L	M	N	O	P
RCVR	183	183	183	183	183	183	183	183	183	183	183

- Available Modifications:
- N/A

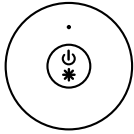
Extension Cord



	E	F	G	H	J	K	L	M	N	O	P
EXTCORD	25	25	25	25	25	25	25	25	25	25	25

- 96" long
- Available Modifications:
- N/A

Magnetic Wireless Dimmers



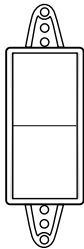
	E	F	G	H	J	K	L	M	N	O	P
MDIMB	92	92	92	92	92	92	92	92	92	92	92
MDIMN	92	92	92	92	92	92	92	92	92	92	92

- Magnetic back
- MDIMB is Black
- MDIMN is Nickel

Available Modifications:

- N/A

Wall-Mounted Wireless Dimmers



	E	F	G	H	J	K	L	M	N	O	P
WDIMB	316	316	316	316	316	316	316	316	316	316	316
WDIMW	316	316	316	316	316	316	316	316	316	316	316

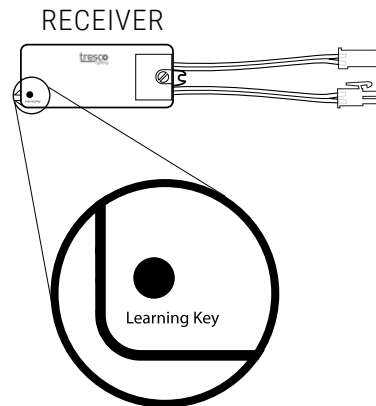
- Installs in wall plate
- WDIMB is Black
- WDIMW is White

Available Modifications:

- N/A

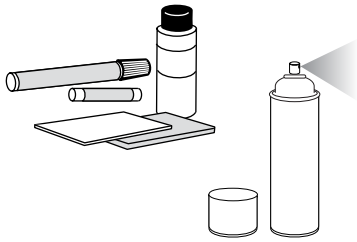
Pairing the Receiver to the Dimmer Switch

1. Remove the clear plastic tab from the Dimmer battery compartment to activate the battery.
2. Connect all lighting parts and plug into a power source. Press once (do not hold down) on the black Learning Key on the Receiver, then press once on the Dimmer button. The lights should flash on/off, indicating they are paired and programmed properly. Each Receiver can be controlled by up to 8 different Dimmers.
3. To deprogram a Receiver, hold down the black Learning Key until the lights connected to the Receiver flash on/off twice. The Receiver is now reset and is no longer paired with any Dimmers.



Accessories

Touch-Up Kit



	E	F	G	H	J	K	L	M	N	O	P
TUK	50	50	50	50	50	50	50	50	50	50	50
SPRAY CAN	X	X	X	X	64	64	64	64	64	64	64

- TUK includes putty crayon, stain marker, blending pad, abrasive pad and clear top coat
- Spray Can is 12 ounces; not available for Branford, Dover Lunar and Essex Lunar

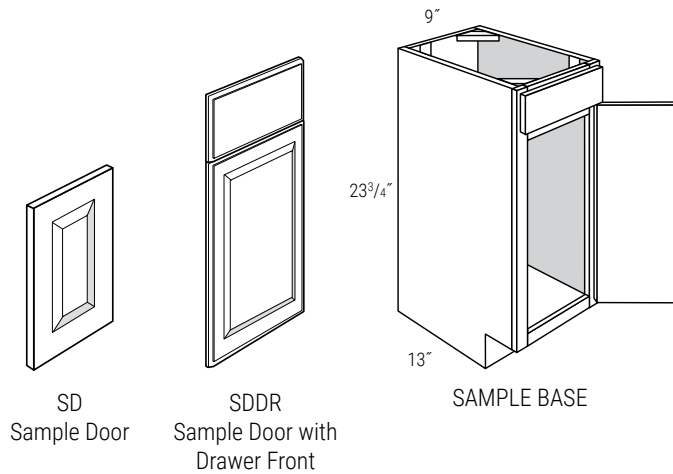
Available Modifications:
• N/A

Samples and Displays

- Sample Base is available in Dover Norwich and Dover Lunar
- Display is Essex White only
- Display includes sample doors

Available Modifications:
• N/A

	E	F	G	H	J	K	L	M	N	O	P
SD	54	54	54	54	54	54	54	54	54	54	54
SDDR	X	X	X	X	106	106	106	106	106	106	106
SAMPLE BASE	X	X	X	X	X	X	X	288	X	X	X
DISPLAY	X	X	X	X	X	1500	X	X	X	X	X



Vanity Cabinets

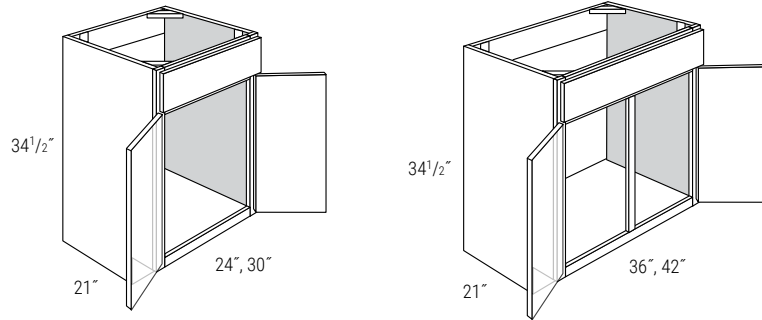
Vanity: 2 Doors

- B = Butt doors
- Open back
- Assembled, add \$20 net
- Upgrade to Blum hinges for \$12 net

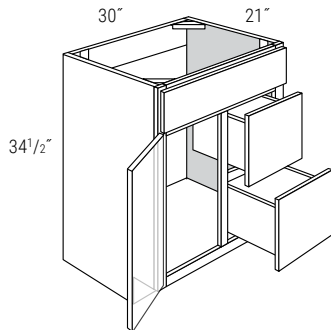
Available Modifications:

- CUT-BASE
- FB CONV

	E	F	G	H	I	J	K	L	M	N	O	P
V2421B	355	398	373	416	X	510	536	523	542	570	X	X
V3021B	409	461	430	482	X	605	635	620	643	675	X	X
V3621	476	546	500	570	X	730	766	749	766	804	X	X
V4221	548	630	576	658	X	850	892	871	890	935	X	X



Vanity: 1 Door, 2 Drawers



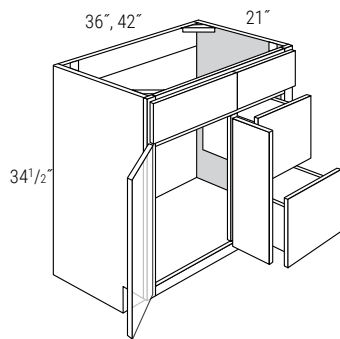
	E	F	G	H	I	J	K	L	M	N	O	P
V3021D-L	666	717	700	751	X	842	885	859	880	924	X	X
V3021D-R	666	717	700	751	X	842	885	859	880	924	X	X

- V3021D-R shown
- Open back
- Assembled, add \$20 net
- Upgrade to Blum hinges and glides for \$60 net

Available Modifications:

- CUT-BASE2DR
- FB CONV

Vanity: 2 Doors, 2 Drawers



	E	F	G	H	I	J	K	L	M	N	O	P
V3621D-L	757	821	796	860	X	968	1017	989	1012	1062	X	X
V3621D-R	757	821	796	860	X	968	1017	989	1012	1062	X	X
V4221D-L	911	984	956	1029	X	1108	1163	1130	1157	1215	X	X
V4221D-R	911	984	956	1029	X	1108	1163	1130	1157	1215	X	X

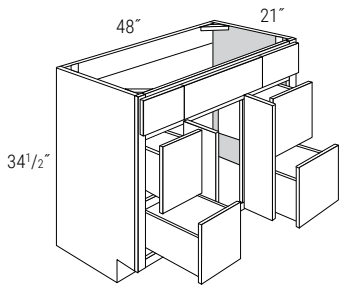
- V3621D-R shown
- Open back
- Assembled, add \$20 net
- Upgrade to Blum hinges and glides for \$66 net

Available Modifications:

- CUT-BASE2DR
- FB CONV

Vanity Cabinets

Vanity: 2 Door, 4 Drawers



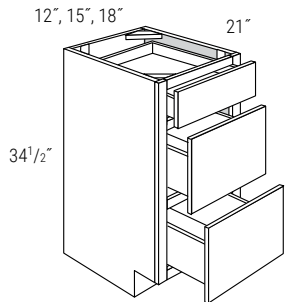
	E	F	G	H	I	J	K	L	M	N	O	P
V4821D	1147	1232	1205	1290	X	1358	1426	1385	1424	1496	X	X

- Open back
- Assembled, add \$20 net
- Upgrade to Blum hinges and glides for \$120 net

Available Modifications:

- CUT-BASE3DR
- FB CONV

Vanity Drawer Base: 3 Drawers



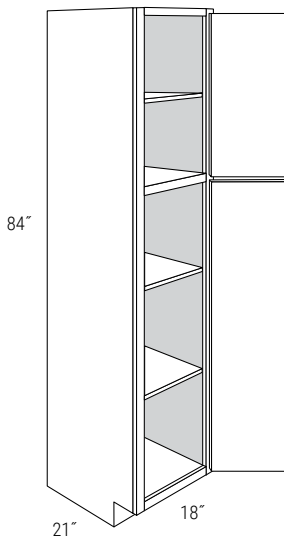
	E	F	G	H	I	J	K	L	M	N	O	P
VDB1221	598	619	627	648	X	796	835	810	838	879	X	X
VDB1521	652	679	685	712	X	827	868	841	871	915	X	X
VDB1821	707	737	745	775	X	871	915	887	918	963	X	X

- Assembled, add \$20 net
- Upgrade to Blum glides for \$81 net

Available Modifications:

- CUT-BASE3DR

Vanity Linen Closet: 2 Doors



	E	F	G	H	I	J	K	L	M	N	O	P
VLC1884	X	X	X	X	X	1598	1598	1639	1693	1693	X	X

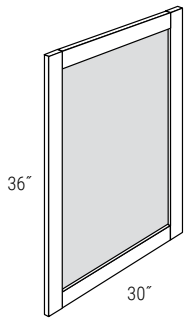
- All other styles, Crown Molding sold separately
- Assembled, add \$28 net
- Upgrade to Blum hinges for \$15 net

Available Modifications:

- CUT-TALL

Vanity Cabinets

Vanity Mirror



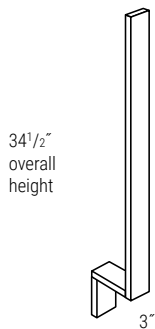
	E	F	G	H	I	J	K	L	M	N	O	P
MR3036	391	391	410	410	X	391	391	400	413	413	X	X

• Available for Amesbury, Quincy, Plymouth, Dover, Essex, Branford, and Trenton

Available Modifications:

- N/A

Vanity Base Filler

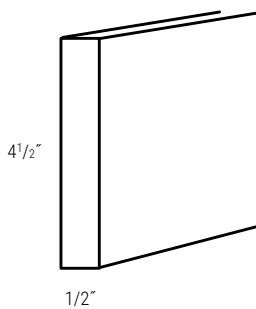


	E	F	G	H	I	J	K	L	M	N	O	P
VBF3	X	X	X	X	X	43	43	44	46	46	X	X

Available Modifications:

- N/A

Finished Toe Kick



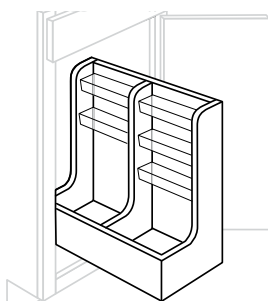
	E	F	G	H	I	J	K	L	M	N	O	P
TK8	44	44	44	44	X	55	55	56	58	58	58	58

• 8' long
• Edgebanded and finished on face and ends

Available Modifications:

- CUT-MOULDING

Vanity Pull Out



	E	F	G	H	I	J	K	L	M	N	O	P
SFTLVPULL	872	872	872	872	872	872	872	872	872	872	X	X

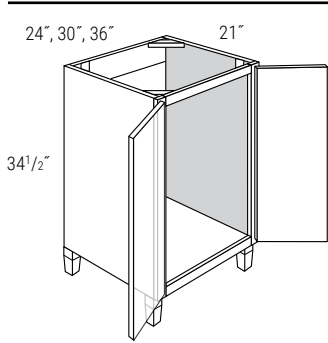
• Installed, add \$11 net
• Dimensions: 8 3/4" W x 18 3/4" D x 18 7/8" H

Available Modifications:

- N/A

Vanity Cabinets

Tapered Leg Vanity: 2 Doors

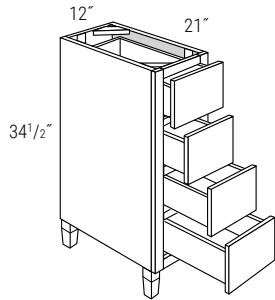


	E	F	G	H	I	J	K	L	M	N	O	P
VF2421	X	X	X	X	511	X	X	X	X	X	X	X
VF3021	X	X	X	X	565	X	X	X	X	X	X	X
VF3621	X	X	X	X	629	X	X	X	X	X	X	X

- Open back
- Assembled, add \$20 net
- Upgrade to Blum hinges for \$12 net

Available Modifications:
• N/A

Tapered Leg Vanity Drawer Base: 4 Drawers

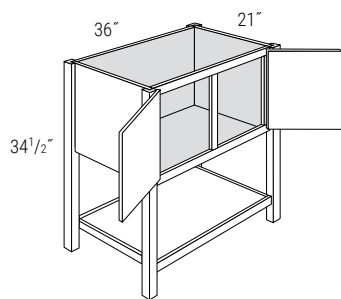


	E	F	G	H	I	J	K	L	M	N	O	P
VFDB1221	X	X	X	X	749	X	X	X	X	X	X	X

- All four drawers are of equal size
- Assembled, add \$20 net
- Inset style
- Blum upgrade not available

Available Modifications:
• N/A

Shelved Vanity: 2 Doors

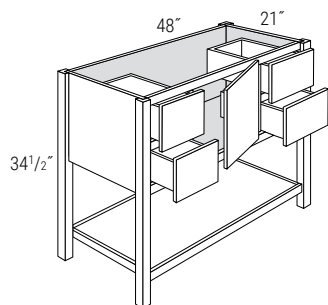


	E	F	G	H	I	J	K	L	M	N	O	P
SV3621	X	X	X	X	1060	X	X	X	X	X	X	X

- Assembled, add \$20 net
- Inset style
- Blum upgrade not available

Available Modifications:
• N/A

Shelved Vanity: 1 Door, 4 Drawers



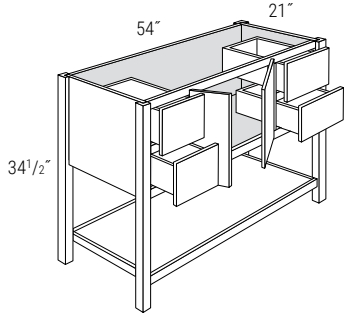
	E	F	G	H	I	J	K	L	M	N	O	P
SV4821D	X	X	X	X	1553	X	X	X	X	X	X	X

- Assembled, add \$20 net
- Inset style
- Blum upgrade not available

Available Modifications:
• N/A

Vanity Cabinets

Shelved Vanity: 2 Doors, 4 Drawers

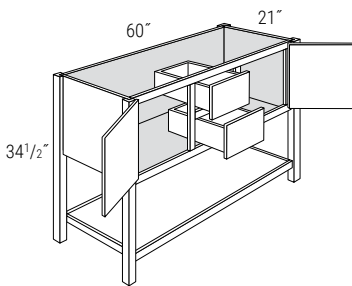


	E	F	G	H	I	J	K	L	M	N	O	P
SV5421D	X	X	X	X	1643	X	X	X	X	X	X	X

- Assembled, add \$20 net
- Inset style
- Blum upgrade not available

Available Modifications:
• N/A

Shelved Vanity: 2 Doors, 2 Drawers

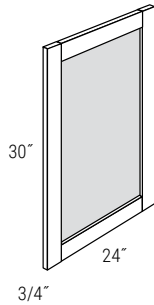


	E	F	G	H	I	J	K	L	M	N	O	P
SV6021D	X	X	X	X	1735	X	X	X	X	X	X	X

- Assembled, add \$20 net
- Inset style
- Blum upgrade not available

Available Modifications:
• N/A

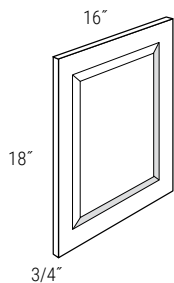
Wall Mirror



	E	F	G	H	I	J	K	L	M	N	O	P
MR2430	X	X	X	X	343	X	X	X	X	X	X	X

Available Modifications:
• N/A

Vanity Decorative Panel



	E	F	G	H	I	J	K	L	M	N	O	P
SVDEC	X	X	X	X	109	X	X	X	X	X	X	X

- For Trenton Open Shelf Vanities only

Available Modifications:
• N/A

Modifications

MODIFICATIONS	E	F	G	H	I	J	K	L	M	N	O	P
CUT-BASE1DR	✓	✓	✓	✓		✓	✓	✓	✓	✓	✓	✓
CUT-BASE2DR	✓	✓	✓	✓		✓	✓	✓	✓	✓	✓	✓
CUT-BASE3DR	✓	✓	✓	✓		✓	✓	✓	✓	✓	✓	✓
CUT-SBASE	✓	✓	✓	✓		✓	✓	✓	✓	✓	✓	✓
CUT-WALL	✓	✓	✓	✓		✓	✓	✓	✓	✓	✓	✓
CUT-TALL	✓	✓	✓	✓		✓	✓	✓	✓	✓	✓	✓
CUT-VAN	✓	✓	✓	✓		✓	✓	✓	✓	✓	✓	✓
CUT-VAN1DR	✓	✓	✓	✓		✓	✓	✓	✓	✓	✓	✓
CUT-VAN2DR	✓	✓	✓	✓		✓	✓	✓	✓	✓	✓	✓
CUT-VAN3DR	✓	✓	✓	✓		✓	✓	✓	✓	✓	✓	✓
CUT-VAN4DR	✓	✓	✓	✓		✓	✓	✓	✓	✓	✓	✓
SBCONV	✓	✓	✓	✓		✓	✓	✓	✓	✓	✓	✓
FBCONV	✓	✓	✓	✓	✓	✓	✓	✓	✓	✓	✓	✓
INCREASE WALL	✓	✓	✓	✓		✓	✓	✓	✓	✓	✓	✓
SPLITIN2						✓	✓	✓	✓	✓	✓	✓
Painted Interior						✓	✓	✓	✓	✓	✓	✓
Prep For Glass	✓	✓	✓	✓		✓	✓	✓	✓	✓	✓	✓
COCMOD	✓	✓	✓	✓		✓	✓	✓	✓	✓	✓	✓
DOCMOD	✓	✓	✓	✓		✓	✓	✓	✓	✓	✓	✓
Blum Upgrade - Hinge	✓	✓	✓	✓		✓	✓	✓	✓	✓	✓	✓
Blum Upgrade - Glides	✓	✓	✓	✓		✓	✓	✓	✓	✓	✓	✓
Cut Panel	✓	✓	✓	✓		✓	✓	✓	✓	✓	✓	✓
Cut Molding	✓	✓	✓	✓		✓	✓	✓	✓	✓	✓	✓

- Available for assembled cabinets only
- All base cabinet depth reductions are in 3" increments
- Branford painted interior is Espresso paint, not stain
- Modifications may add one week to lead times

Modifications

MODIFICATIONS	Description	Price
CUT-BASE1DR	Reduce depth of single drawer base cabinet. (Min depth 12")	\$102 net price
CUT-BASE2DR	Reduce depth of double drawer base cabinet. (Min depth 12")	\$125 net price
CUT-BASE3DR	Reduce depth of 3 drawer base cabinet. (Min depth 12")	\$148 net price
CUT-SBASE	Reduce depth of a sink base cabinet (No min depth)	\$79 net price
CUT-WALL	Reduce depth of a wall cabinet (No min depth)	\$79 net price
CUT-TALL	Reduce depth of a tall cabinet (No min depth) N/A for inset style cabinets (VDW)	\$193 net price
CUT-VAN	Reduce depth of vanity sink base (No min. depth) N/A for inset style cabinets (VDW / VT)	\$79 net price
CUT-VAN2DR	Reduce depth of 2-drawer vanity sink base (Min. depth 12") N/A for inset style cabinets (VDW / VT)	\$125 net price
CUT-VAN3DR	Reduce depth of 3-drawer vanity base (Min. depth 12") N/A for inset style cabinets (VDW / VT)	\$148 net price
CUT-VAN4DR	Reduce depth of 4-drawer vanity base (Min. depth 12") N/A for inset style cabinets (VDW / VT)	\$148 net price
SBCONV	Convert base cabinet to sink base with false drawer	\$22 net price
FBCONV	Upgrade to full back panel for any sink or vanity base cabinet	\$56 net price
INCREASE WALL	Increase depth of wall cabinet. (Max depth 24")	\$101 net price
SPLITIN2	Split turnpost in half vertically	\$22 net price
Painted Interior	Paint interior to match the exterior. <i>Wall cabinets only. N/A Premier..</i>	\$68 net price
Prep For Glass	Cut door panel out for glass insert. Glass not included. <i>Wall cabinets only. Leaves exposed raw wood visible on door interior.</i>	\$22 net per door
COCMOD	Convert single oven cabinet to combination microwave & oven cabinet	\$115 net price
DOCMOD	Convert single oven cabinet to double oven cabinet	\$115 net price
Blum Upgrade	Upgrade to Blum Soft-Close hinge	\$3 net price
Blum Upgrade	Upgrade to Blum Soft-Close drawer glides; set of 2 glides	\$27 net price
Cut Panel	Cut Beadboard or Plywood panel in half	\$22 net price
Cut Molding	Cut Molding in half	\$11 net price

- Available for assembled cabinets only
- All base cabinet depth reductions are in 3" increments
- Branford painted interior is Espresso paint, not stain
- Modifications may add one week to lead times

Modifications

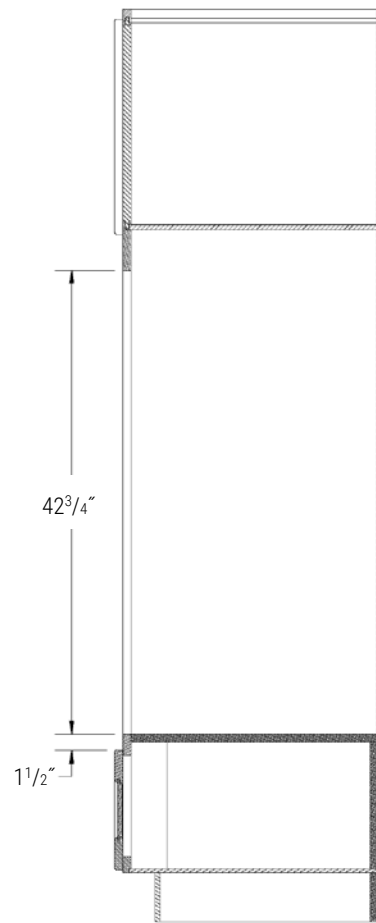
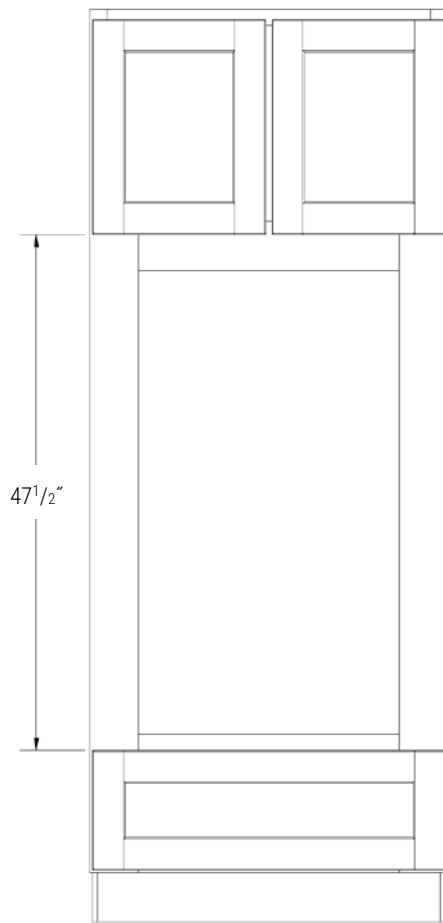
Tall Oven Cabinets: 33" w, 24" d, 2 Doors, 3 Drawers

- Modified cabinet available assembled only
- Add \$143 net for Assembly and Modification
- No adjustable shelf
- Modification may add one week to lead times
- Upgrade to Blum hinges and glides for \$39 net
- 3/4" adjustable bottom is included
- Top 2 drawers are removed
- 24" x 42 3/4" rough opening; trim on-site to fit oven unit
- 30" x 46" MAX cutout (up to 47" overall oven unit size)

	E	F	G	H	J	K	L	M	N	O	P
COC3384	1620	1702	1703	1785	2010	2054	2060	2095	2138	2185	2229
COC3390	1880	1962	1975	2057	2325	2369	2376	2423	2468	2528	2572
COC3396	2181	2263	2291	2373	2698	2742	2756	2812	2856	2933	2976

COCMOD Convert to Assembled Double Oven Cabinet \$143 net price

Available Modifications:
• N/A



Modifications

Tall Oven Cabinets: 33" w, 24" d, 2 Doors, 3 Drawers

- Modified cabinet available assembled only
- Add \$143 net for Assembly and Modification
- No adjustable shelf
- Modification may add one week to lead times
- Upgrade to Blum hinges and glides for \$39 net
- 3/4" adjustable bottom is included
- Two large drawers are removed
- 24" x 46 1/8" rough opening; trim on-site to fit oven unit
- 30" x 50 1/2" MAX cutout (up to 51 1/2" overall oven unit size)

	E	F	G	H	J	K	L	M	N	O	P
DOC3384	1620	1702	1703	1785	2010	2054	2060	2095	2138	2185	2229
DOC3390	1880	1962	1975	2057	2325	2369	2376	2423	2468	2528	2572
DOC3396	2181	2263	2291	2373	2698	2742	2756	2812	2856	2933	2976

DOCMOD Convert to Assembled Combination Oven Cabinet \$143 net price

Available Modifications:
• N/A

